

6 5 4 3 2 1

D

D

C

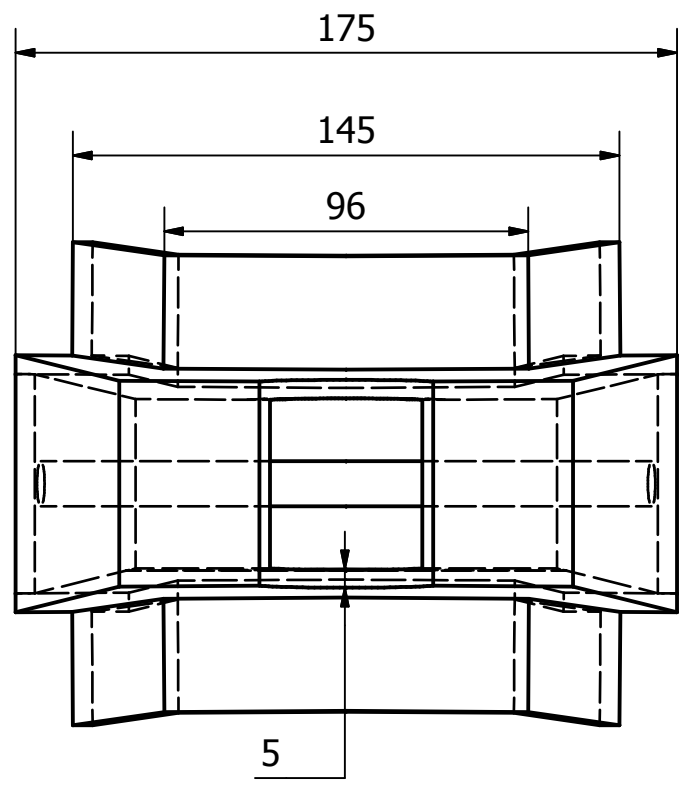
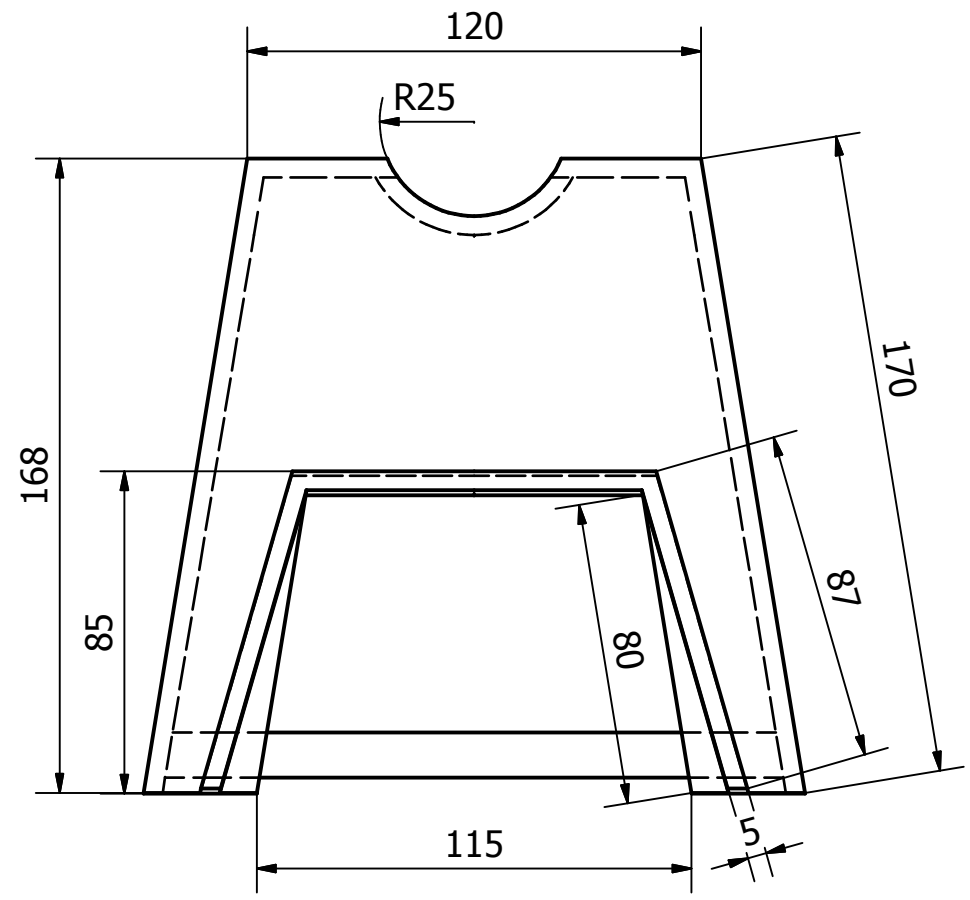
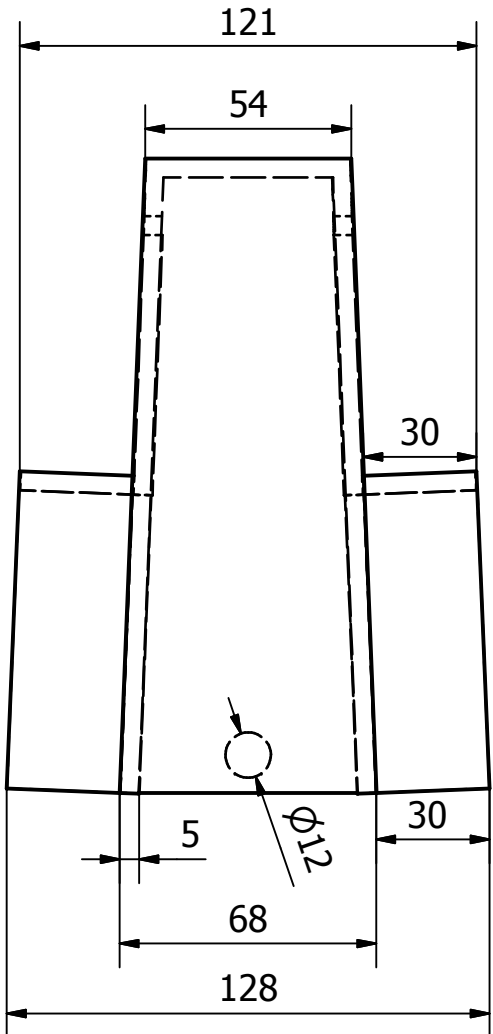
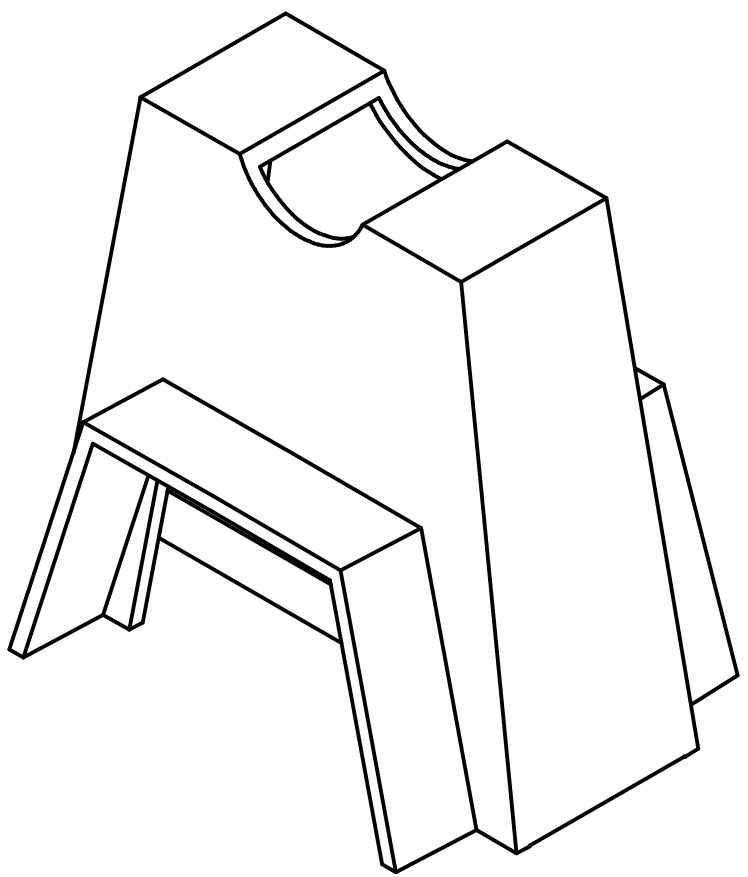
C

B

B

A

A



Drawn by Cai Williams	Checked by	Approved by	Date		Date 27/02/2011	1:2 (mm)
Pump-Aid			Guide Moulds			
Guide Male Mould			Edition	Sheet 1 / 1		

6 5 4 3 2 1