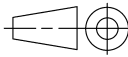
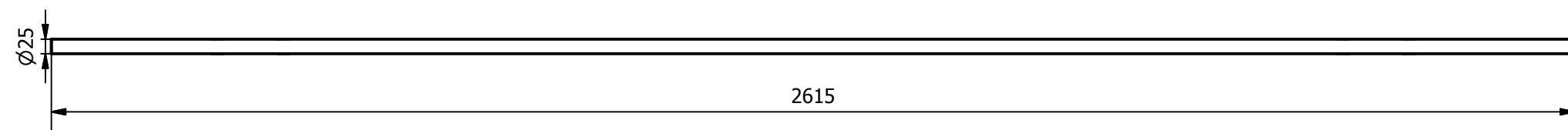
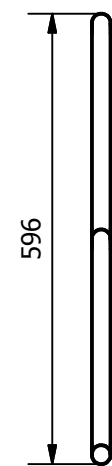
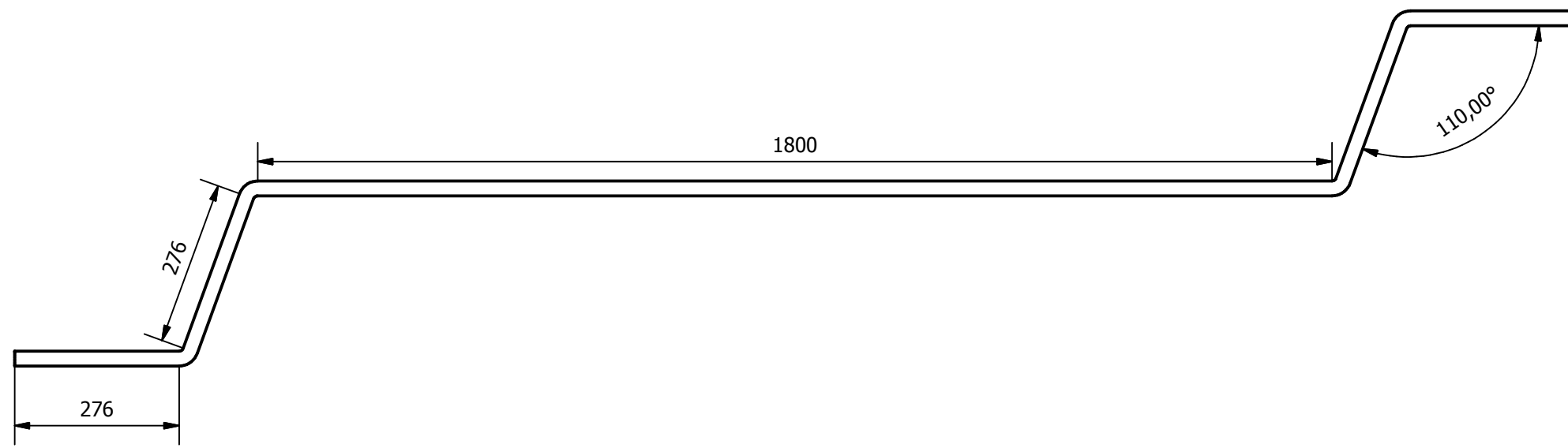
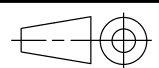
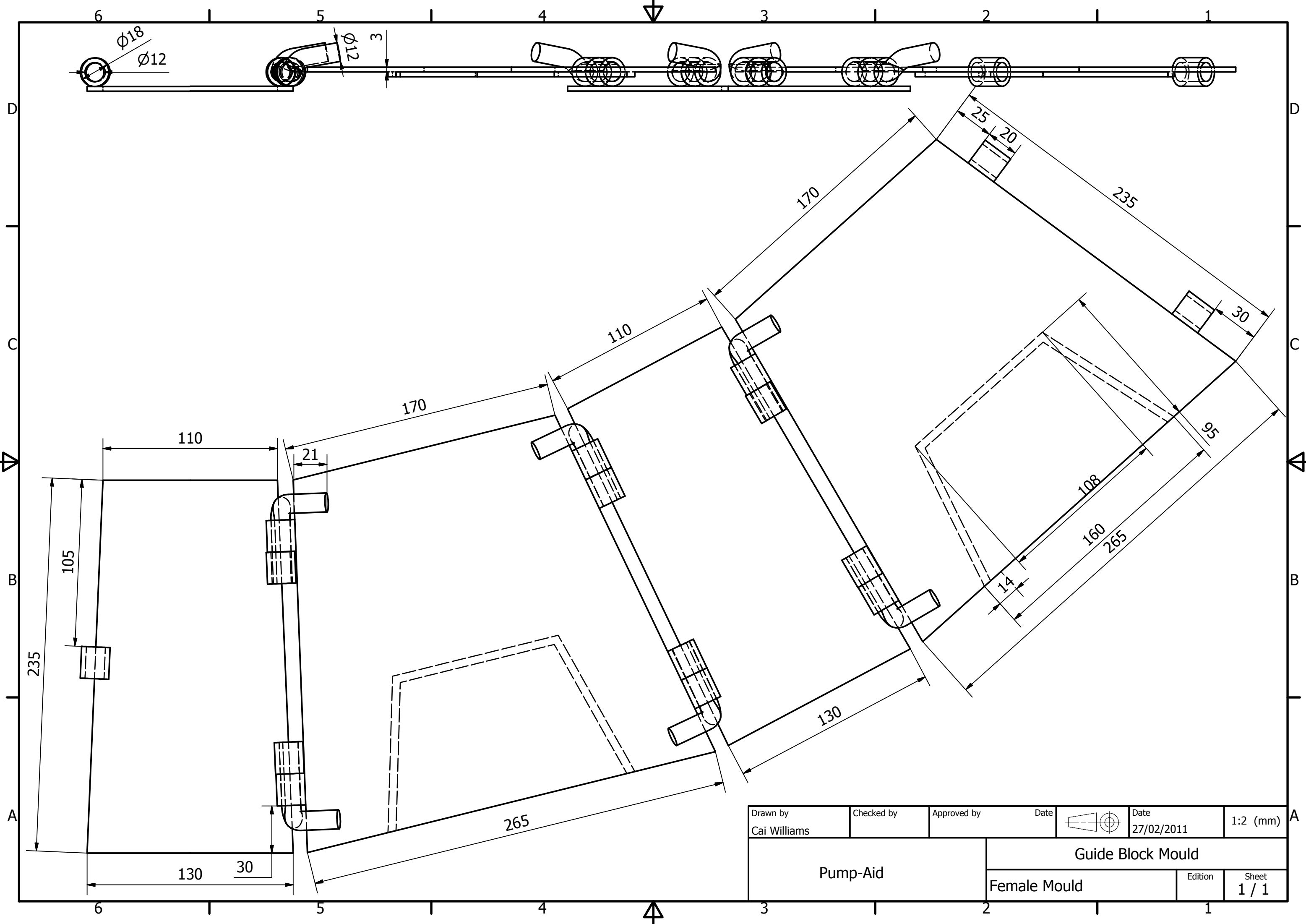
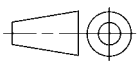


Drawn by Cai Williams	Checked by	Approved by	Date		Date 27/02/2011	1:10 (mm)
Pump-Aid			Bearing/Support			
					Edition	Sheet 1 / 1



Drawn by Cai Williams	Checked by	Approved by	Date		Date 24/02/2011	1:10 (mm)
Pump-Aid			Double Hand Crank/Axle			
					Edition	Sheet 1 / 1



Drawn by Cai Williams	Checked by	Approved by	Date		Date 27/02/2011	1:2 (mm)
Pump-Aid			Guide Block Mould			
			Female Mould		Edition	Sheet 1 / 1

6 5 4 3 2 1

D

D

C

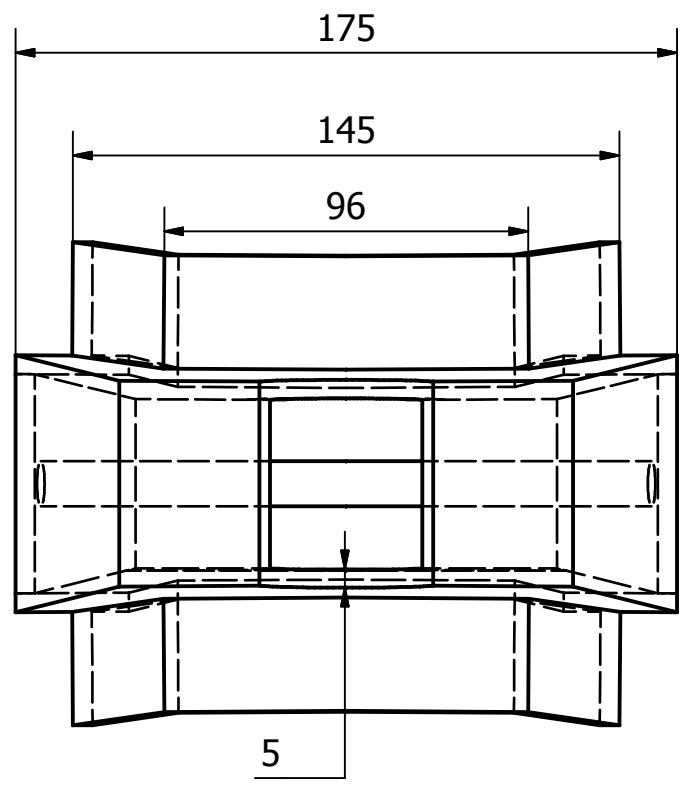
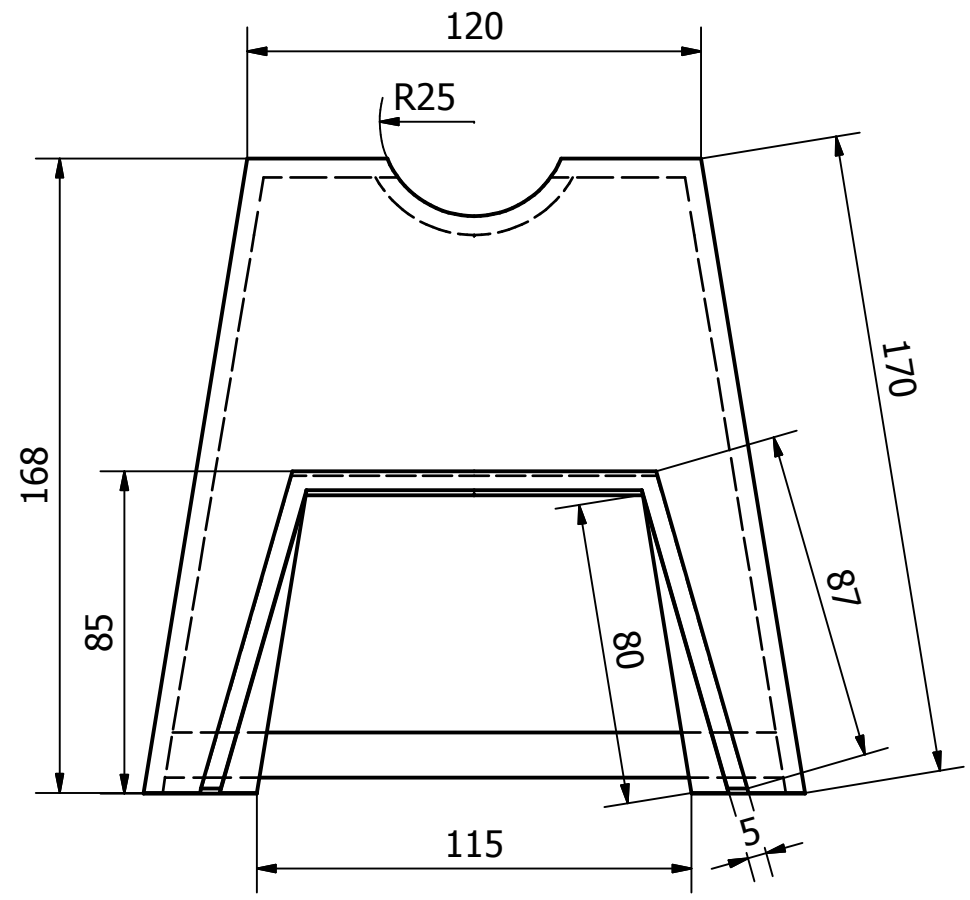
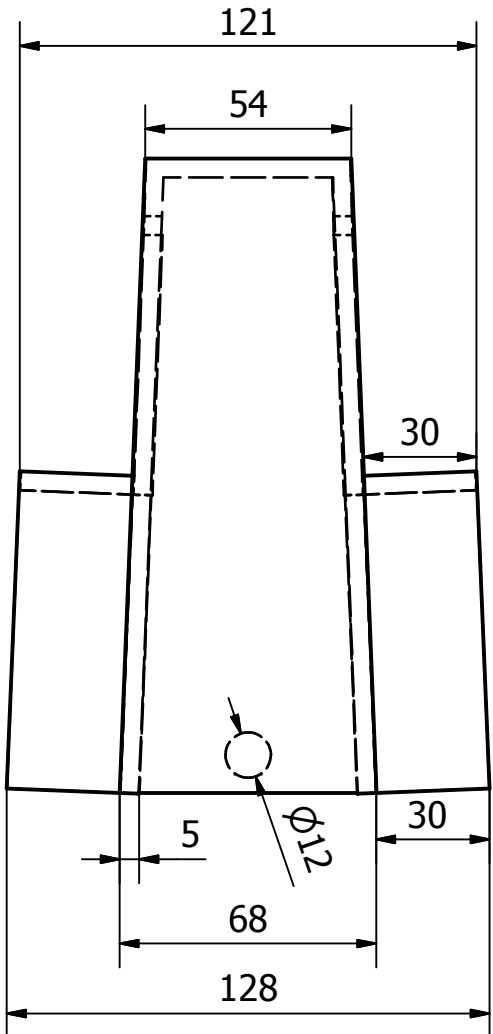
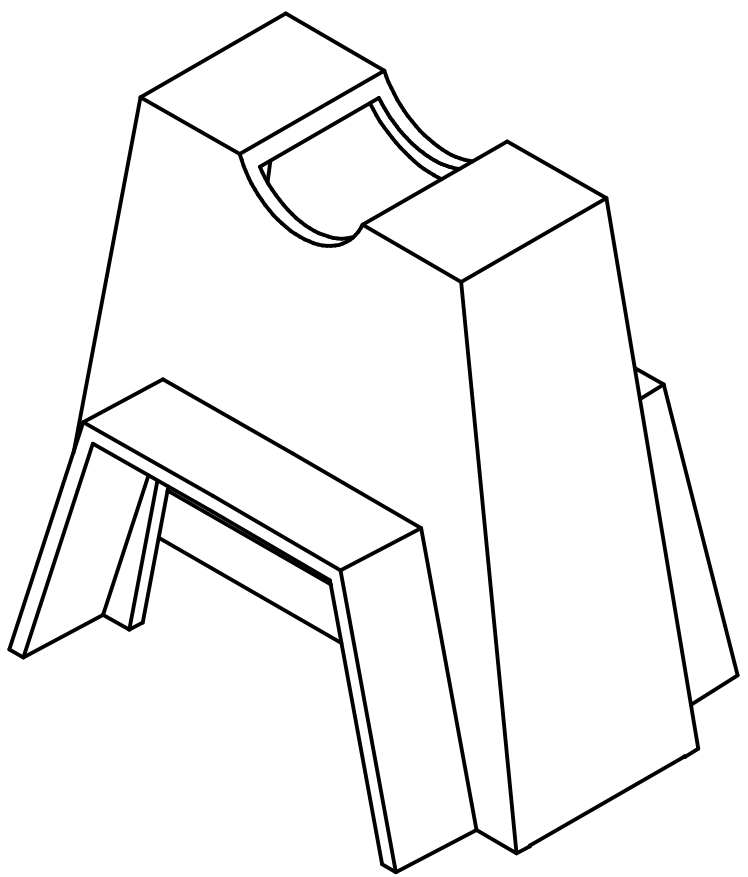
C

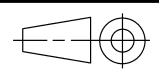
B

B

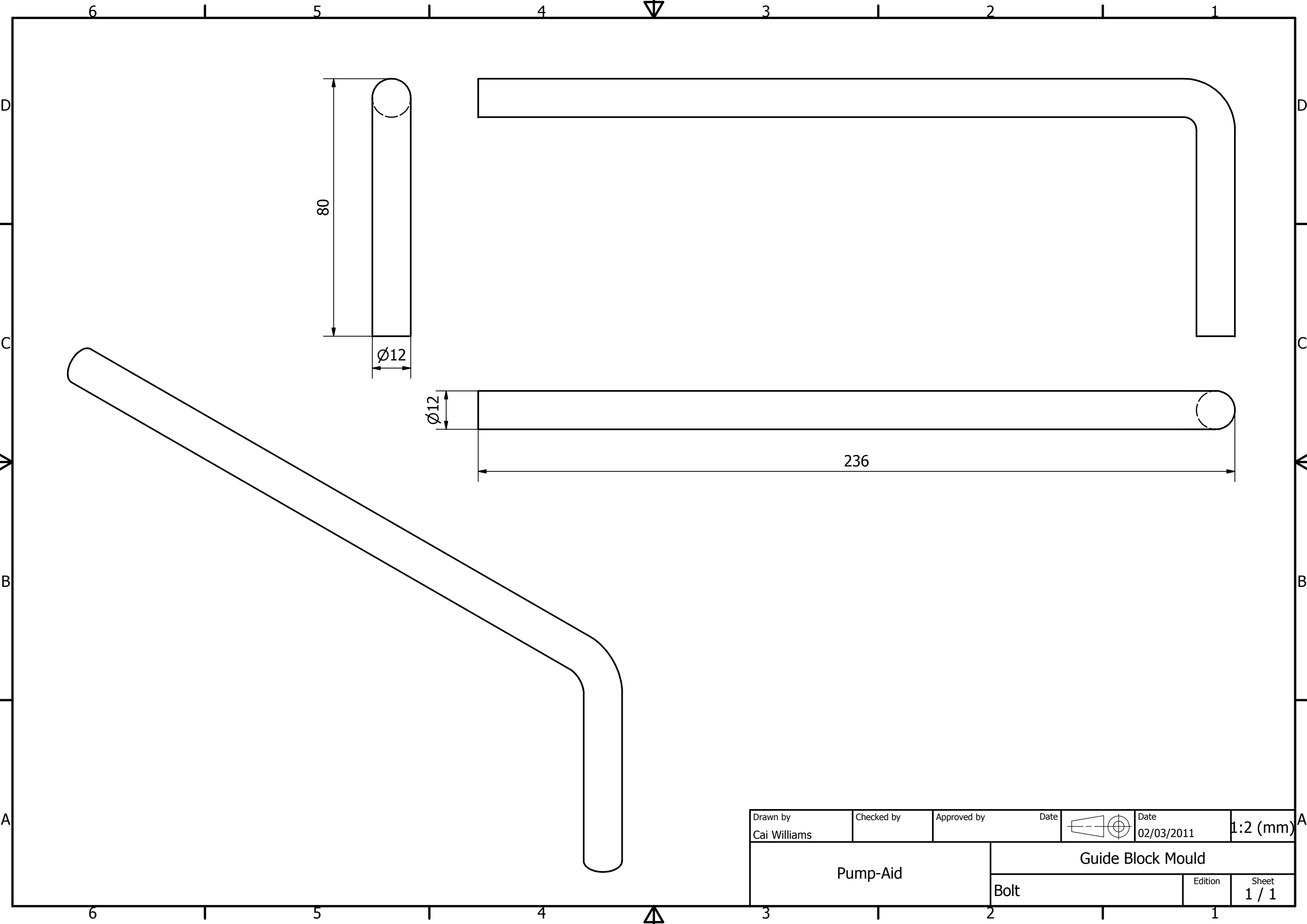
A

A

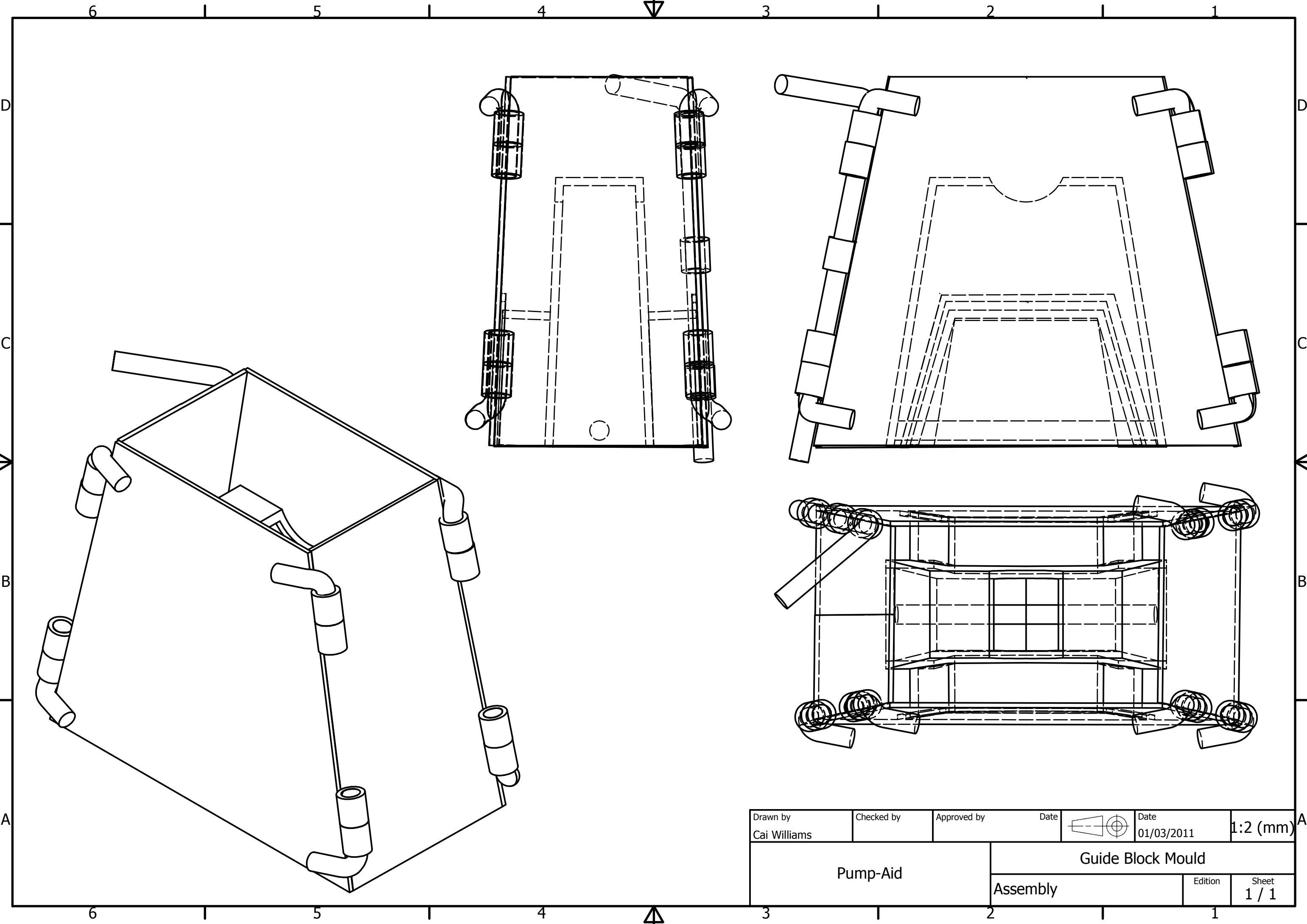


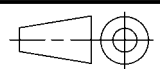
Drawn by Cai Williams	Checked by	Approved by	Date		Date 27/02/2011	1:2 (mm)
Pump-Aid			Guide Moulds			
			Guide Male Mould	Edition	Sheet 1 / 1	

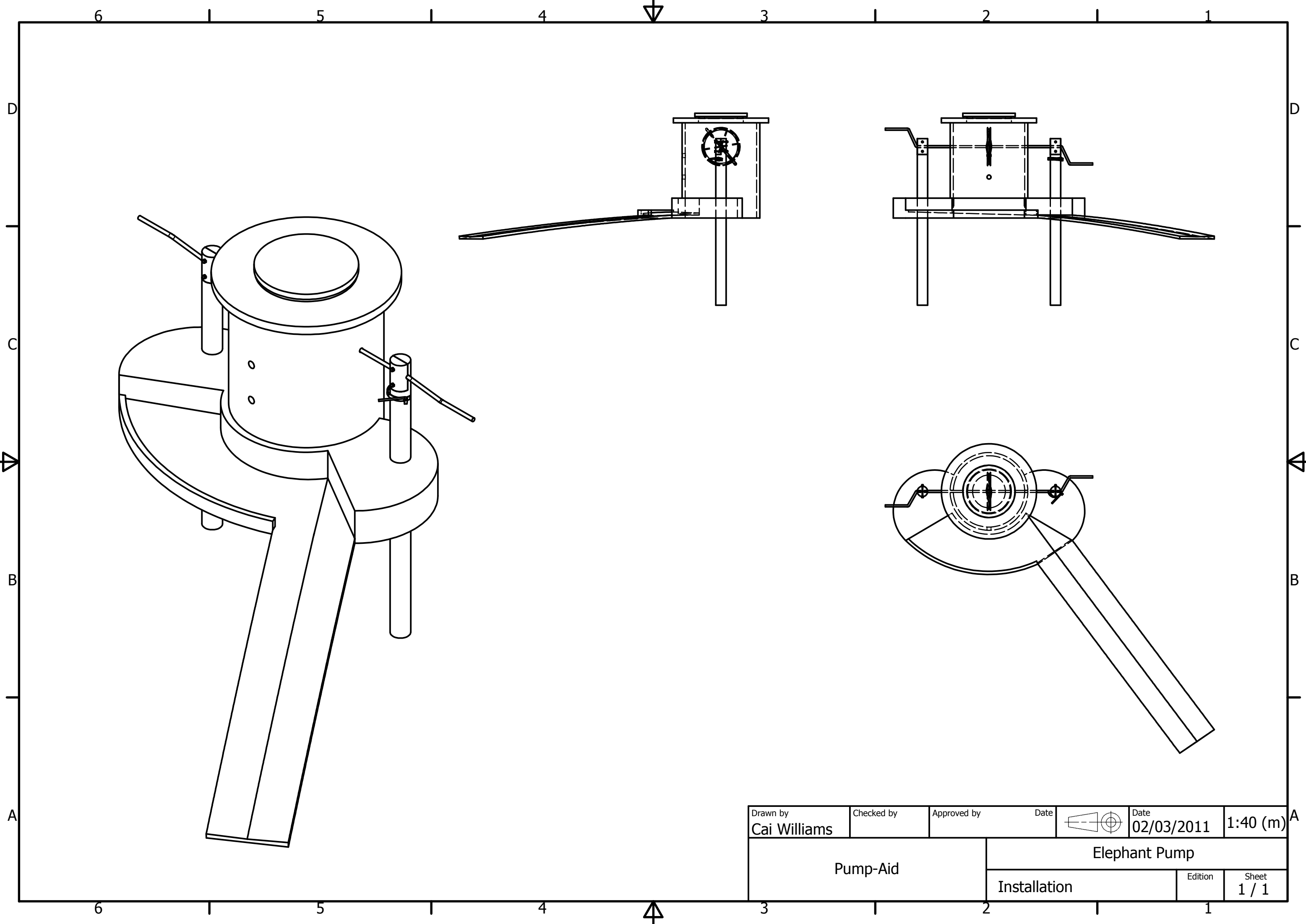
6 5 4 3 2 1

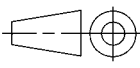


Drawn by Cai Williams	Checked by	Approved by	Date 02/03/2011	1:2 (mm)
Pump-Aid		Guide Block Mould		
Bolt			Edition	Sheet 1 / 1



Drawn by Cai Williams	Checked by	Approved by	Date		Date 01/03/2011	1:2 (mm)
Pump-Aid			Guide Block Mould			
			Assembly		Edition	Sheet 1 / 1



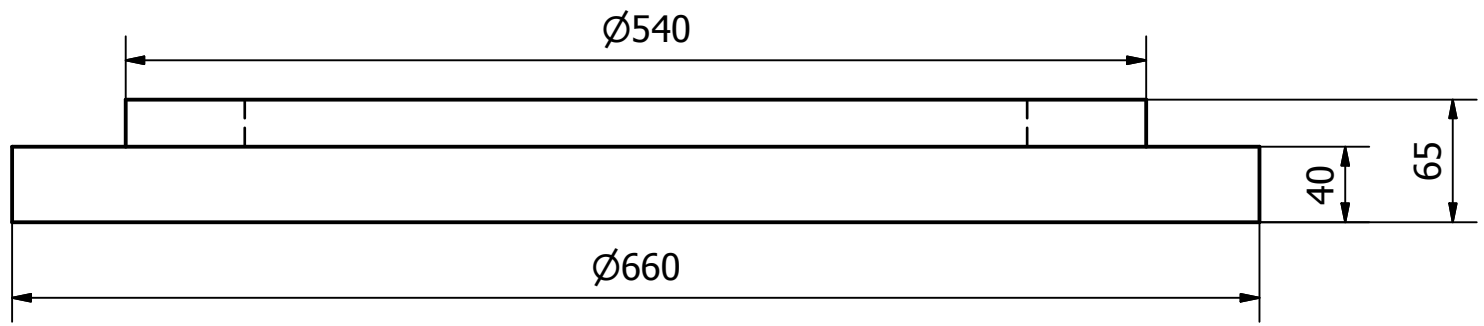
Drawn by Cai Williams	Checked by	Approved by	Date		Date 02/03/2011	1:40 (m)
Pump-Aid			Elephant Pump			
			Installation		Edition	Sheet 1 / 1

6 1 5 1 4 3 1 2 1 1



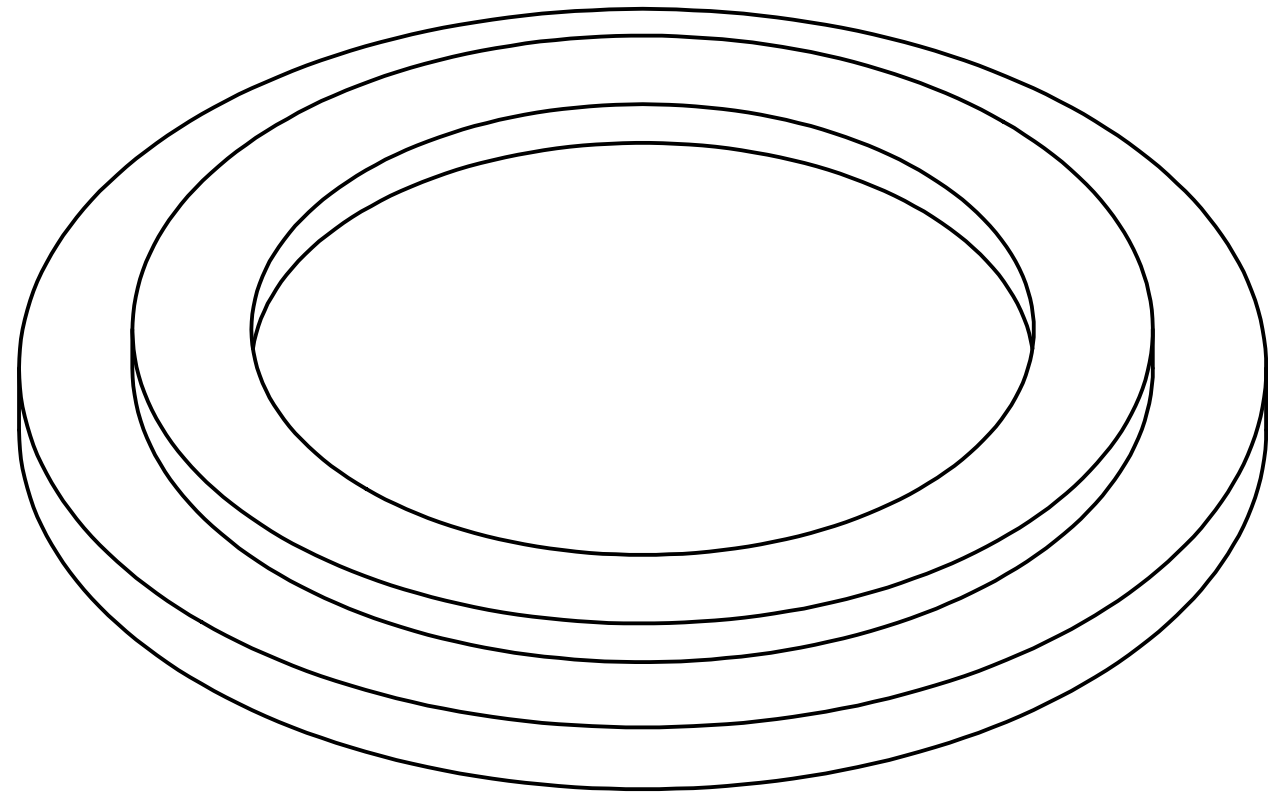
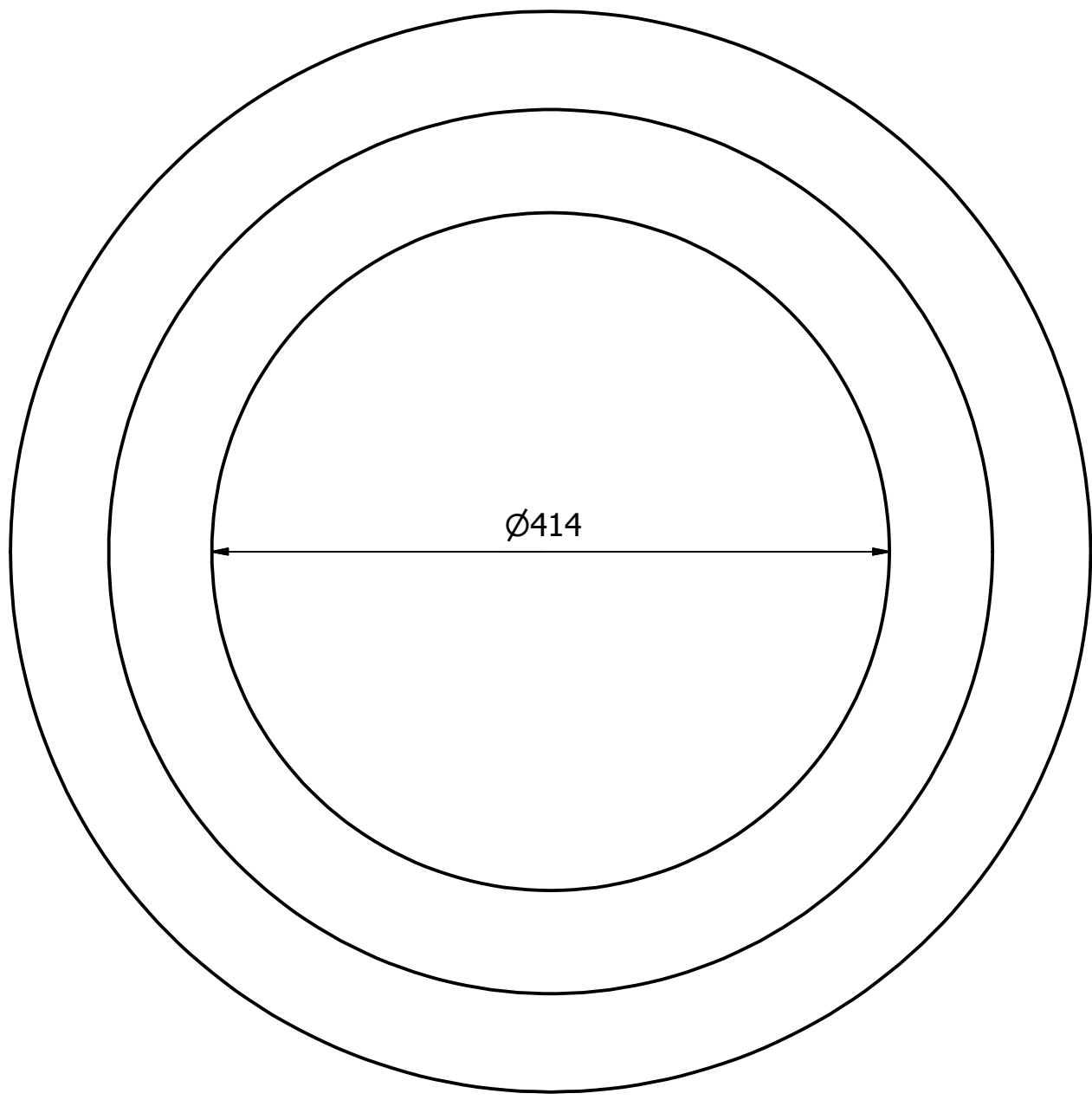
D

D



C

C



B

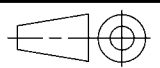
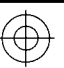
B

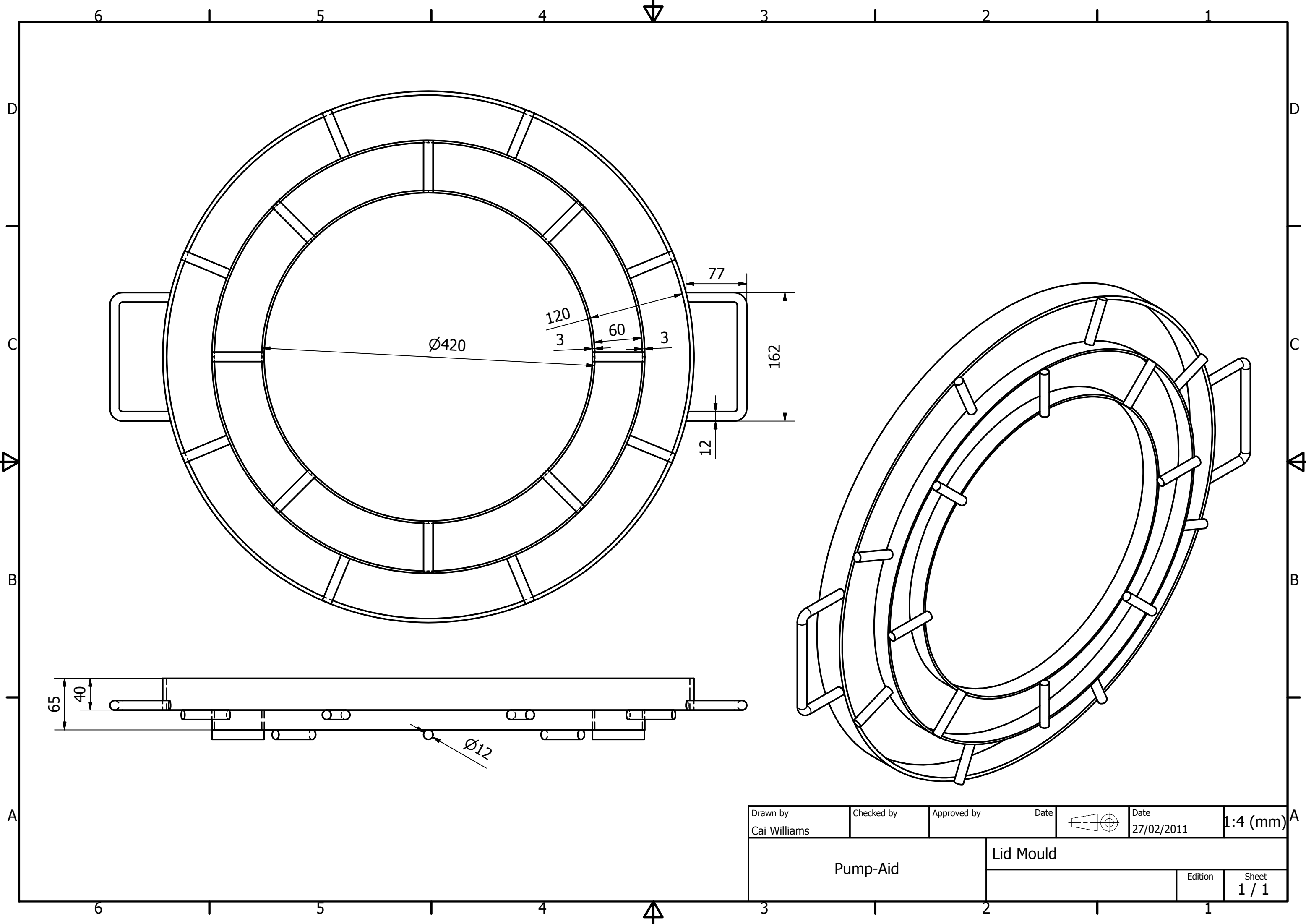
A

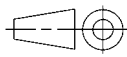
A

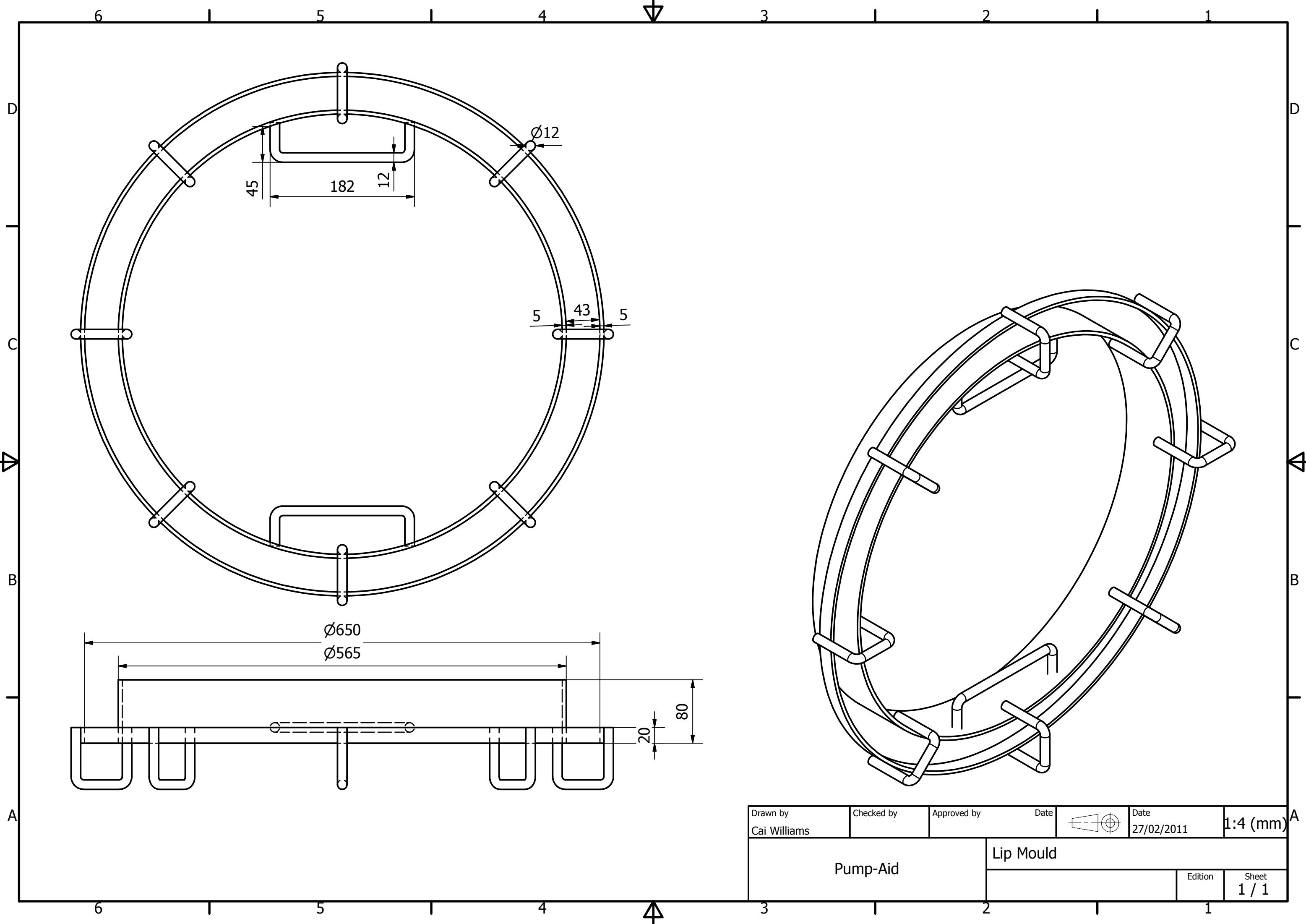
6 1 5 1 4 3 1 2 1 1

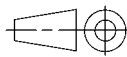


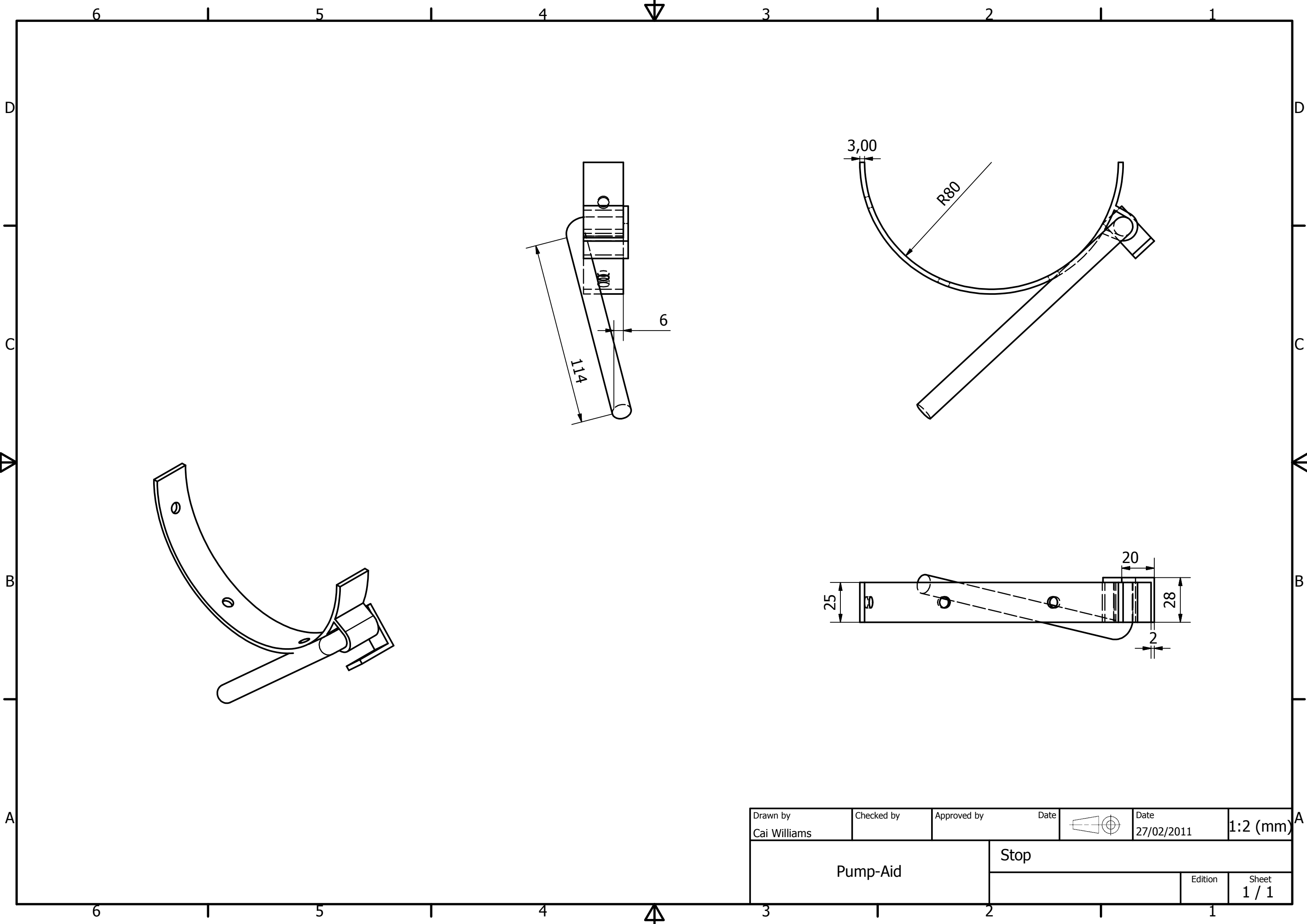
Drawn by Cai Williams	Checked by	Approved by	Date 27/02/2011			1:4 (mm)
Pump-Aid		Concrete Cast Lid				
		Lid				

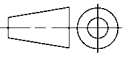


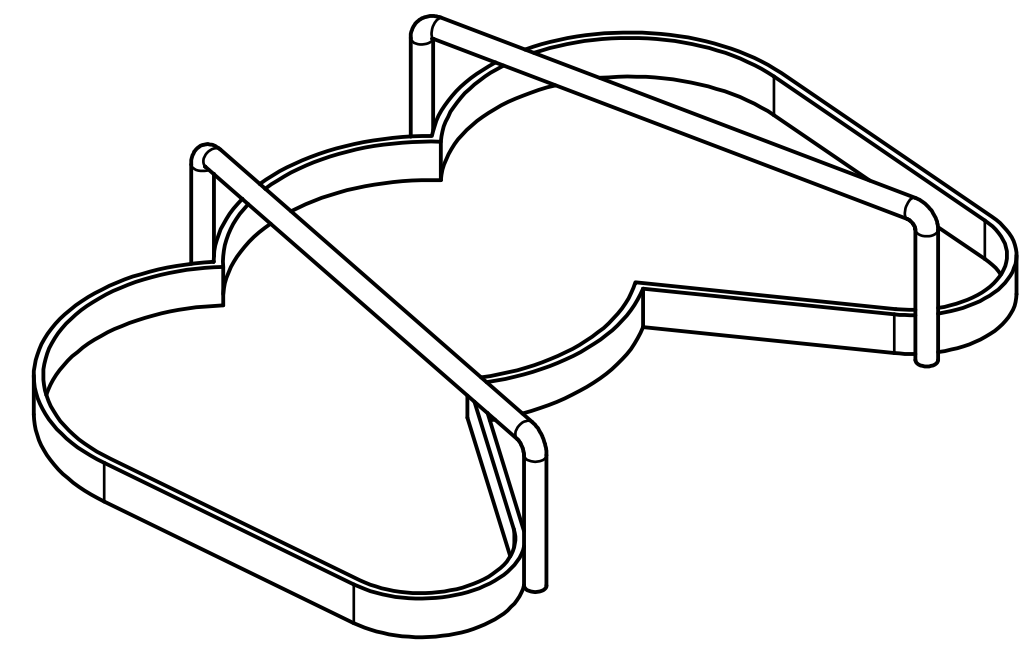
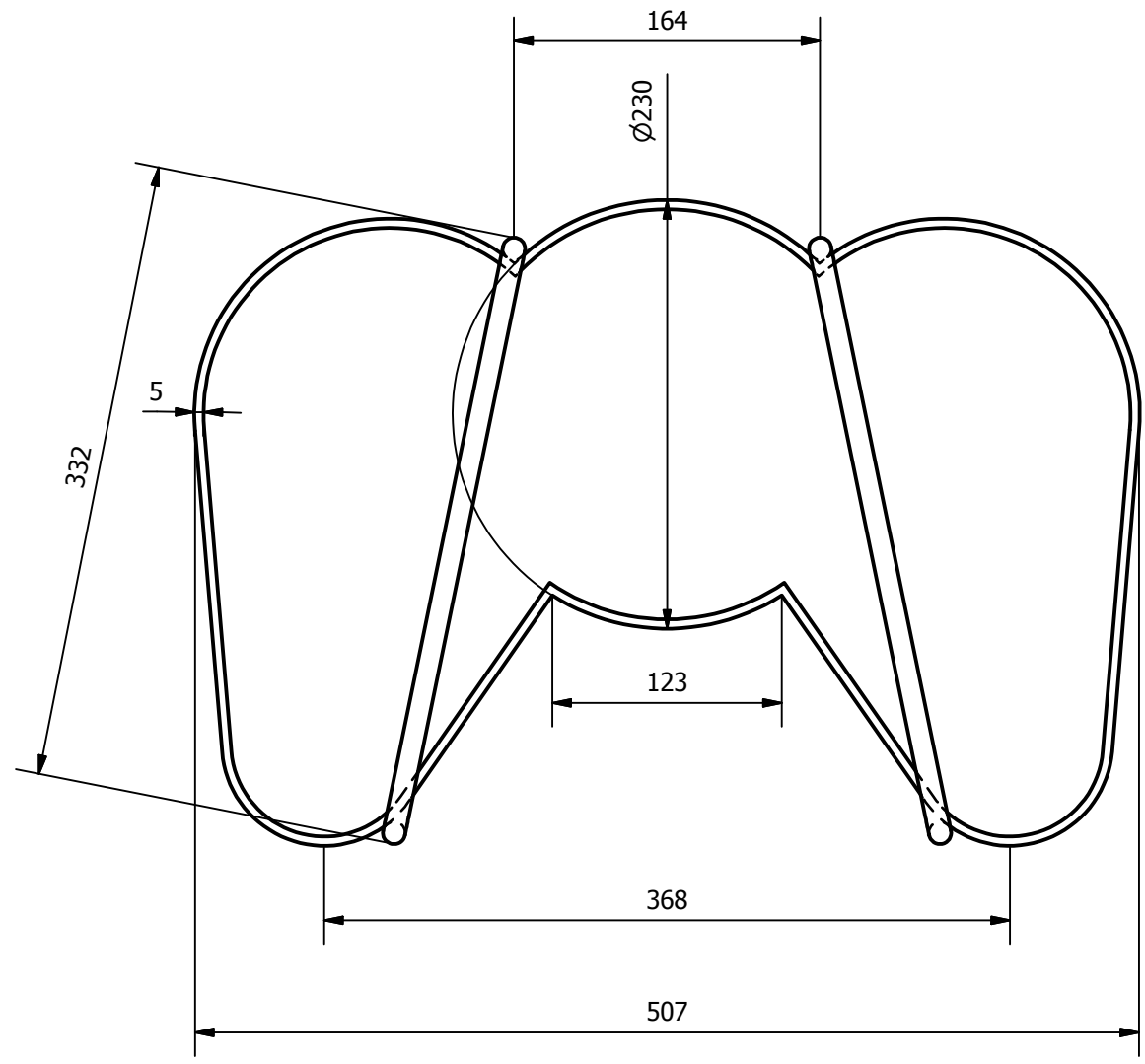
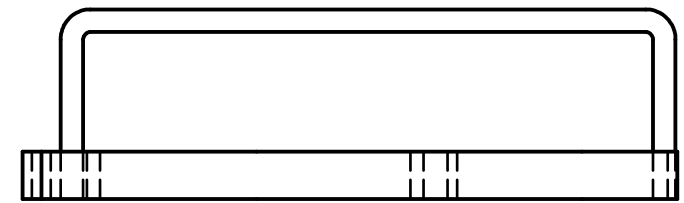
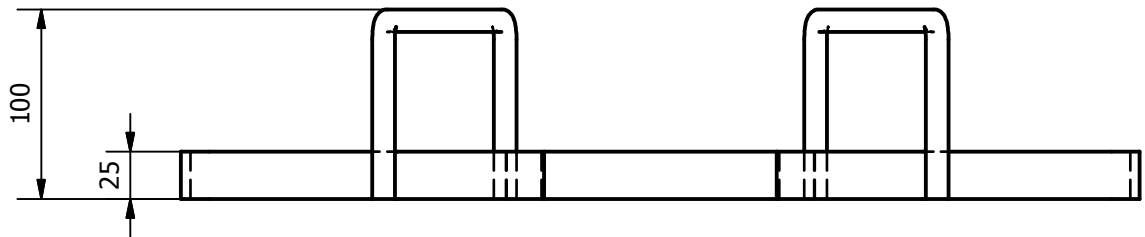
Drawn by Cai Williams	Checked by	Approved by	Date		Date 27/02/2011	1:4 (mm)
Pump-Aid			Lid Mould			
					Edition	Sheet 1 / 1



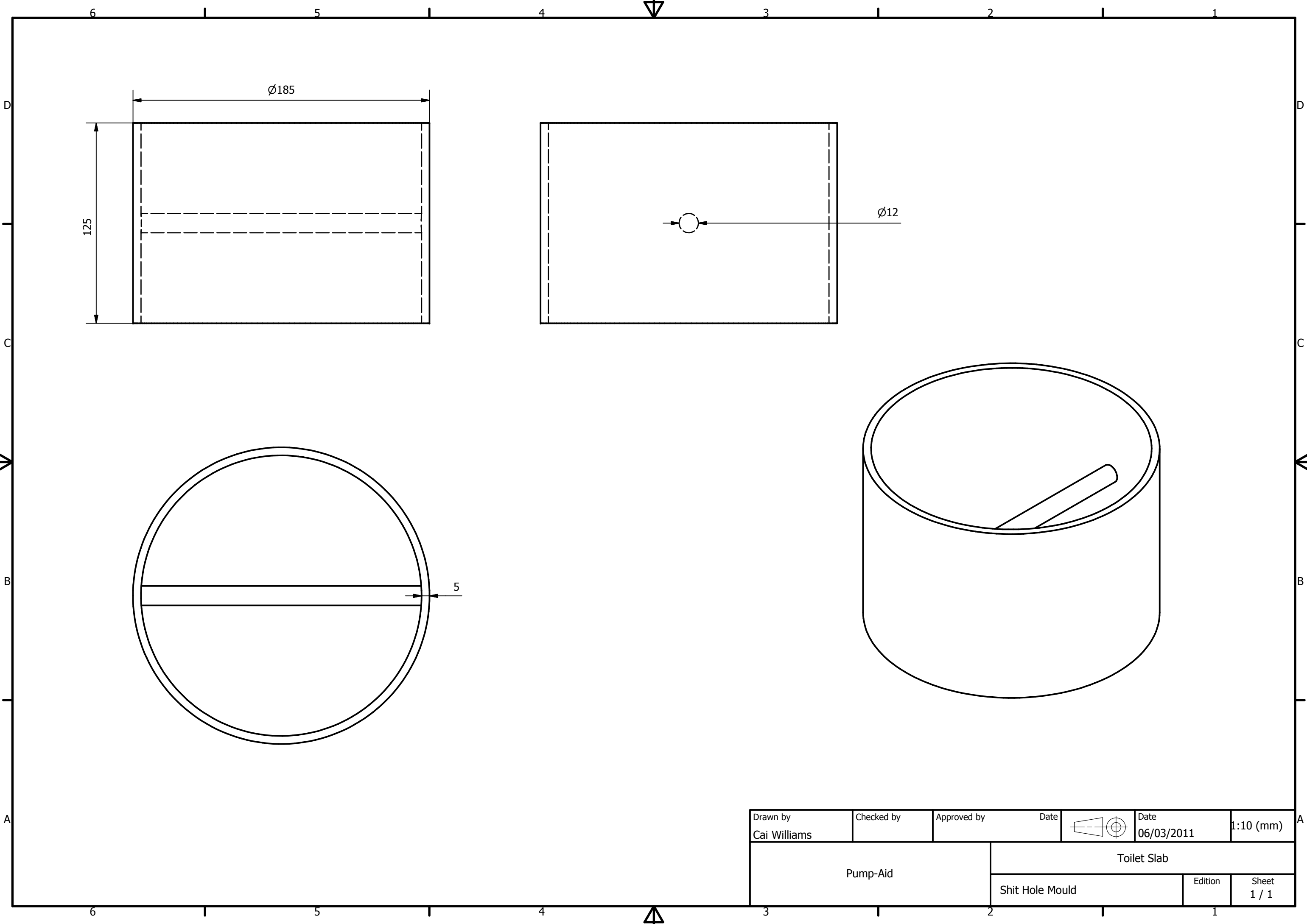
Drawn by Cai Williams	Checked by	Approved by	Date		Date 27/02/2011	1:4 (mm)
Pump-Aid			Lip Mould			
			Edition		Sheet 1 / 1	

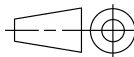


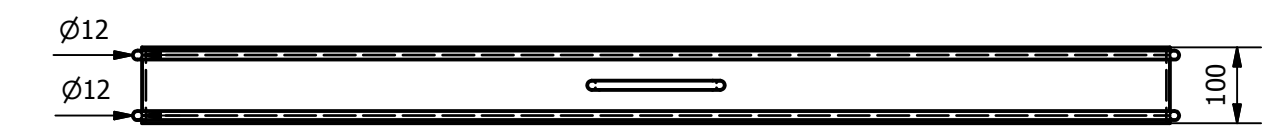
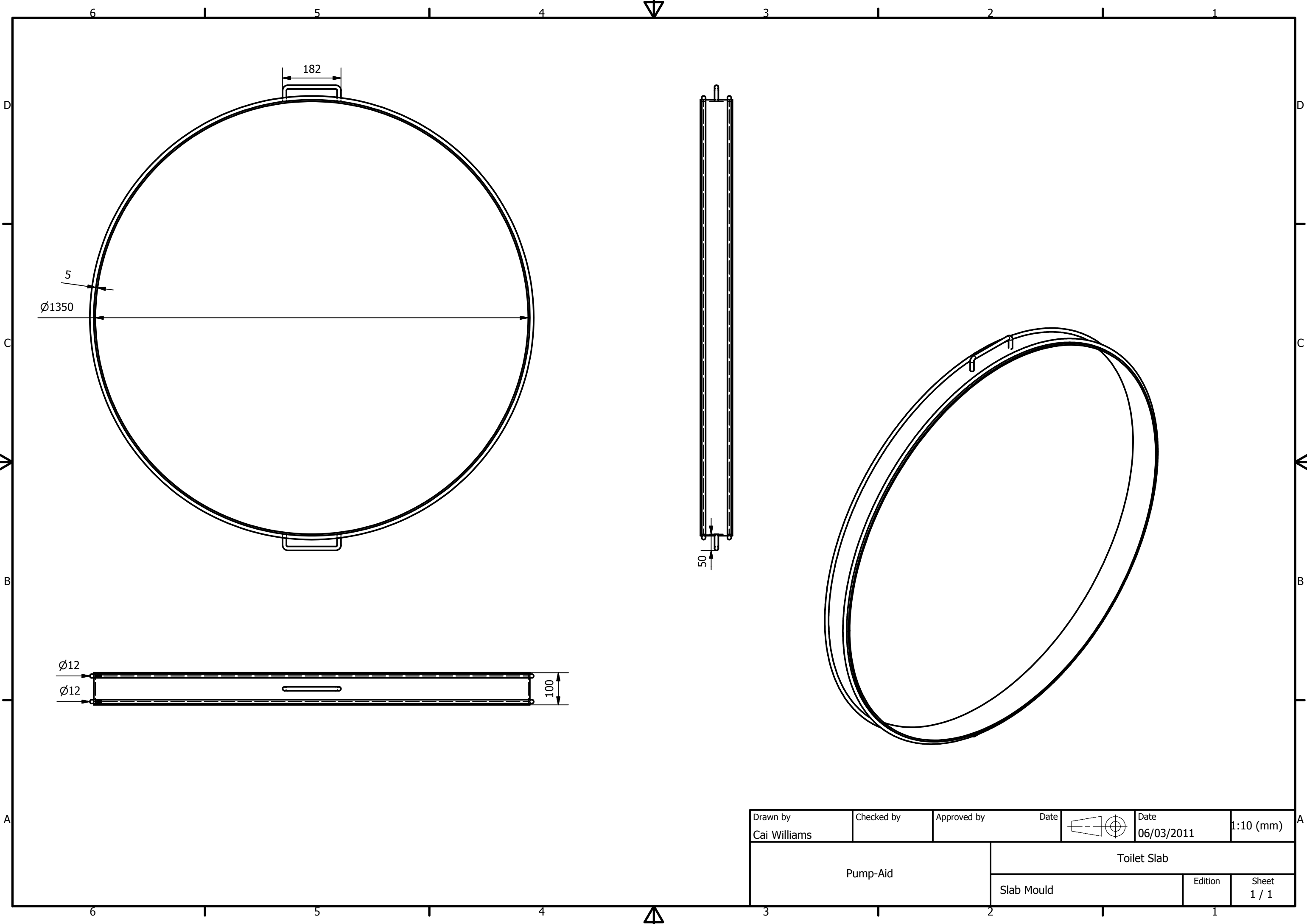
Drawn by Cai Williams	Checked by	Approved by	Date		Date 27/02/2011	1:2 (mm)
Pump-Aid			Stop			
					Edition	Sheet 1 / 1




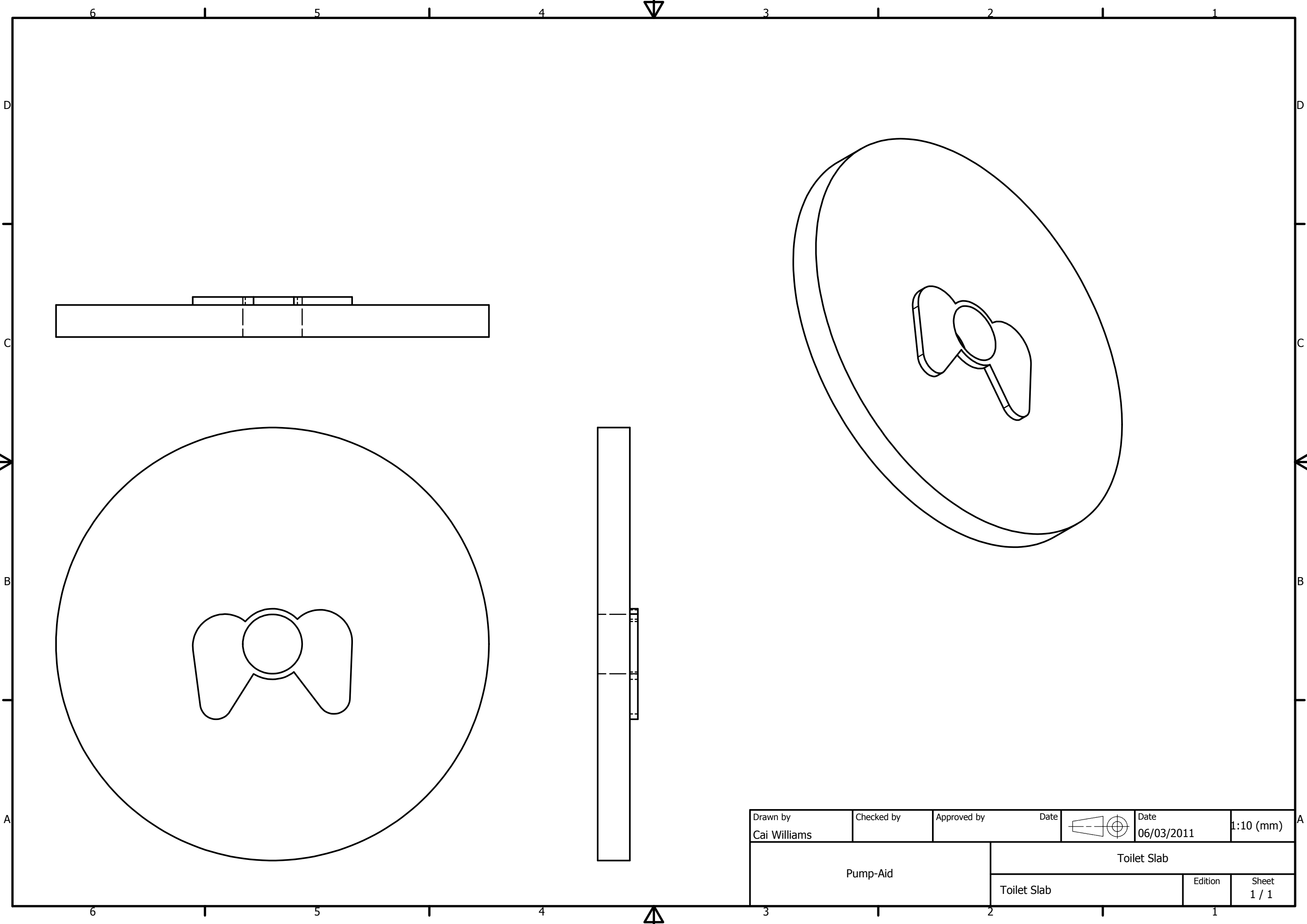
Drawn by Cai Williams	Checked by	Approved by	Date	Date 06/03/2011	1:10 (mm)
Pump-Aid			Toilet Slab		
Feet Stand Mould			Edition	Sheet 1 / 1	

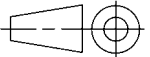


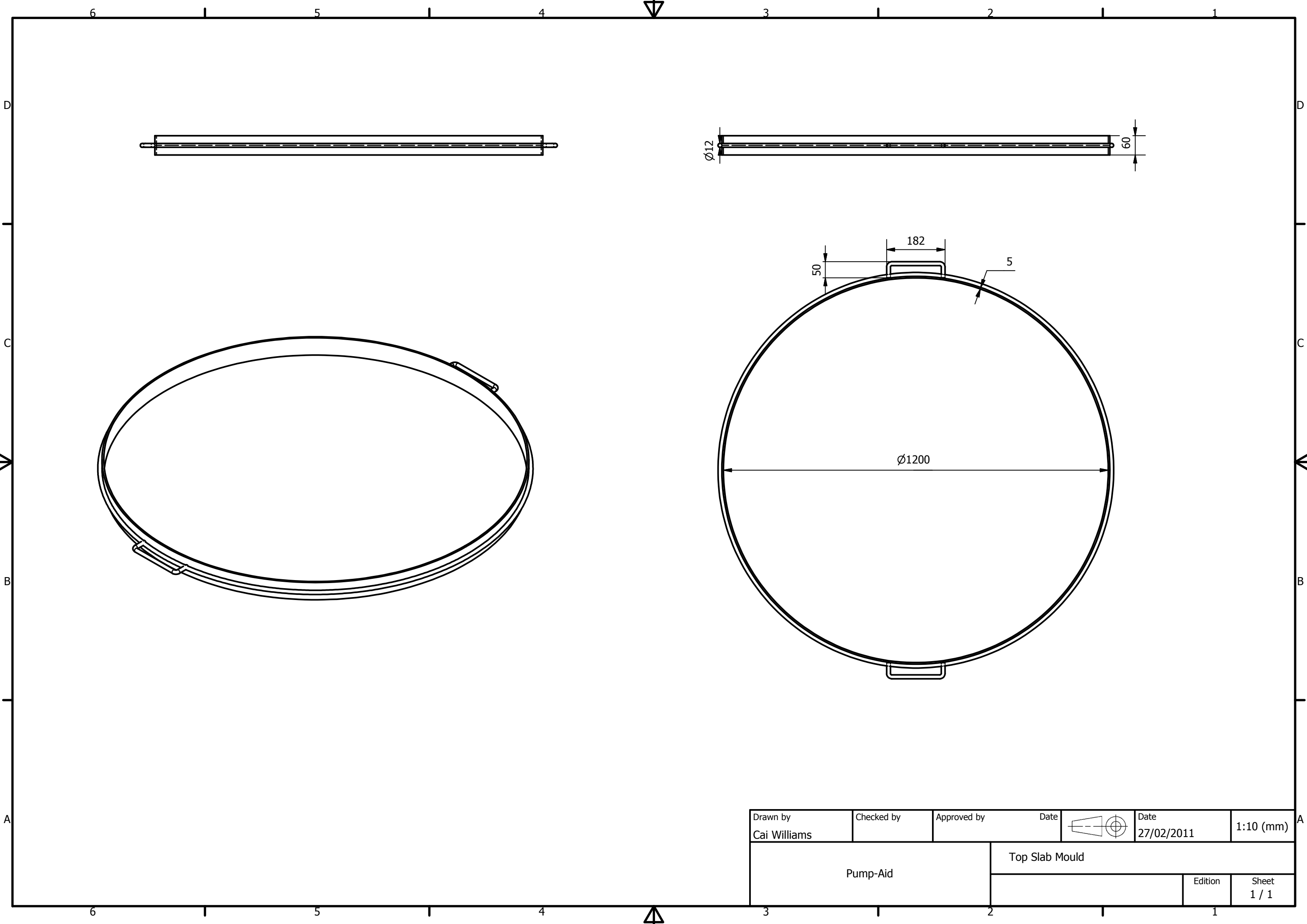
Drawn by Cai Williams	Checked by	Approved by	Date		Date 06/03/2011	1:10 (mm)
Pump-Aid			Toilet Slab			
Shit Hole Mould			Edition		Sheet 1 / 1	

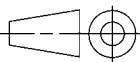


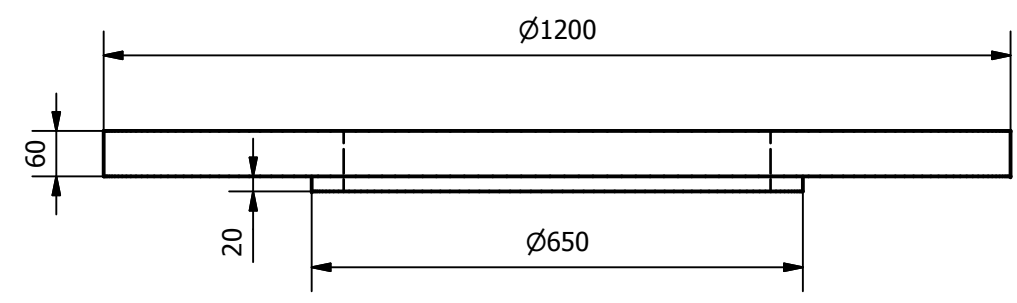
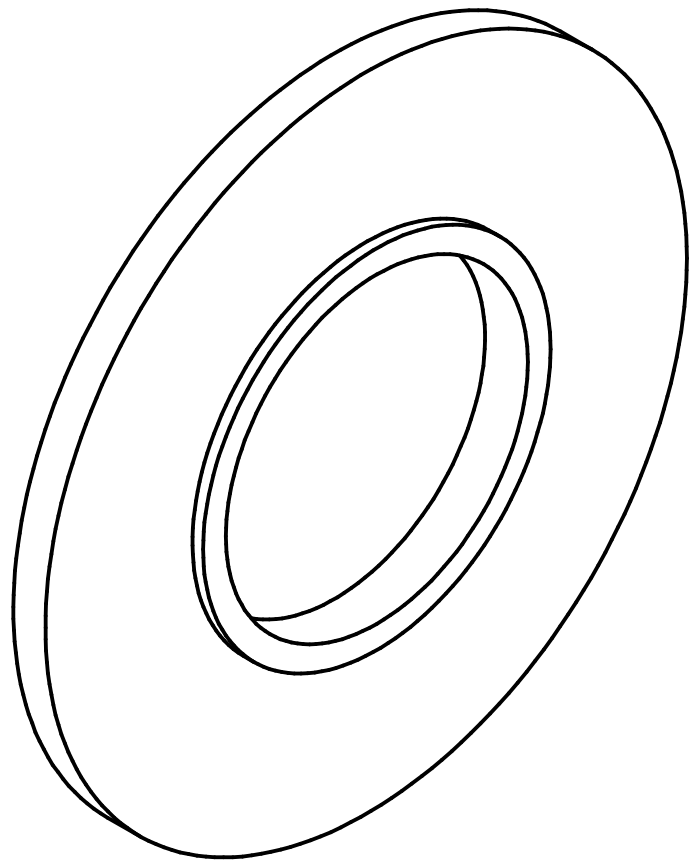
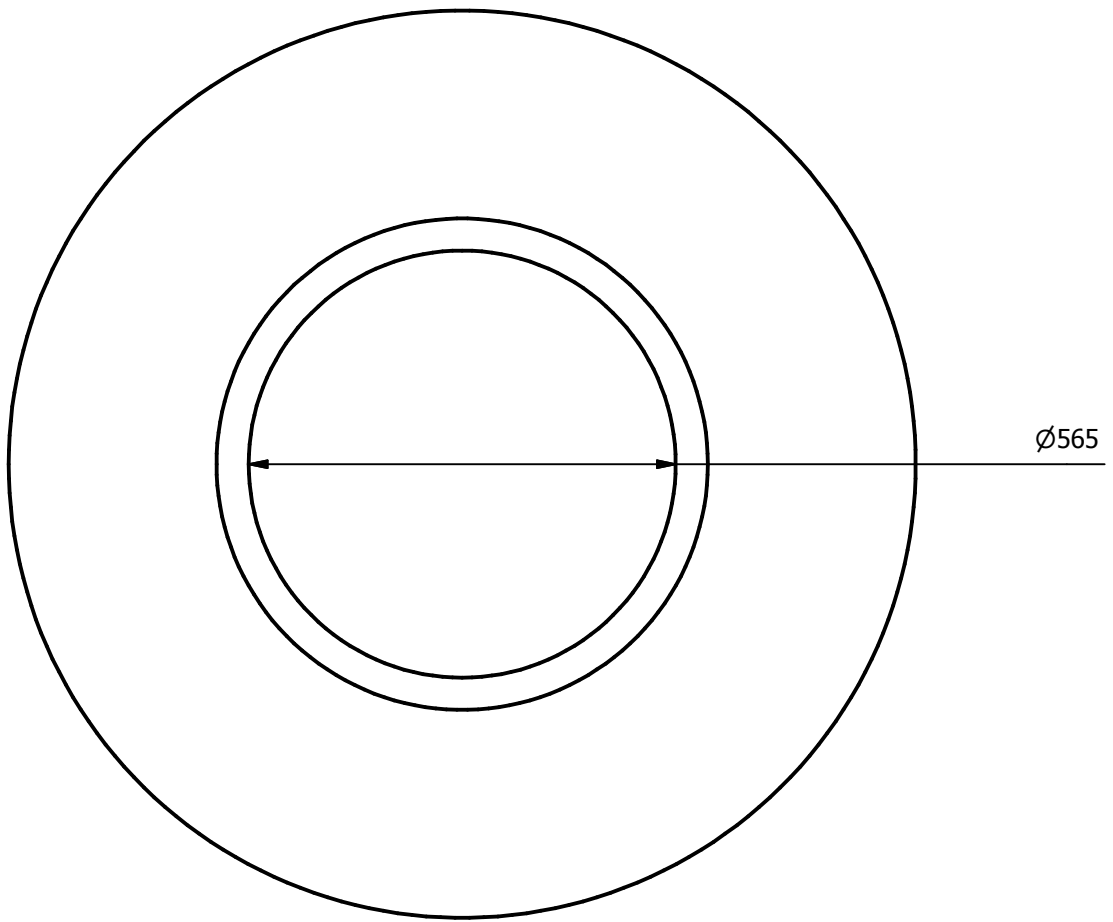
Drawn by Cai Williams	Checked by	Approved by	Date		Date 06/03/2011	1:10 (mm)
Pump-Aid			Toilet Slab			
Slab Mould			Edition	Sheet 1 / 1		

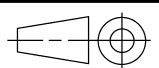



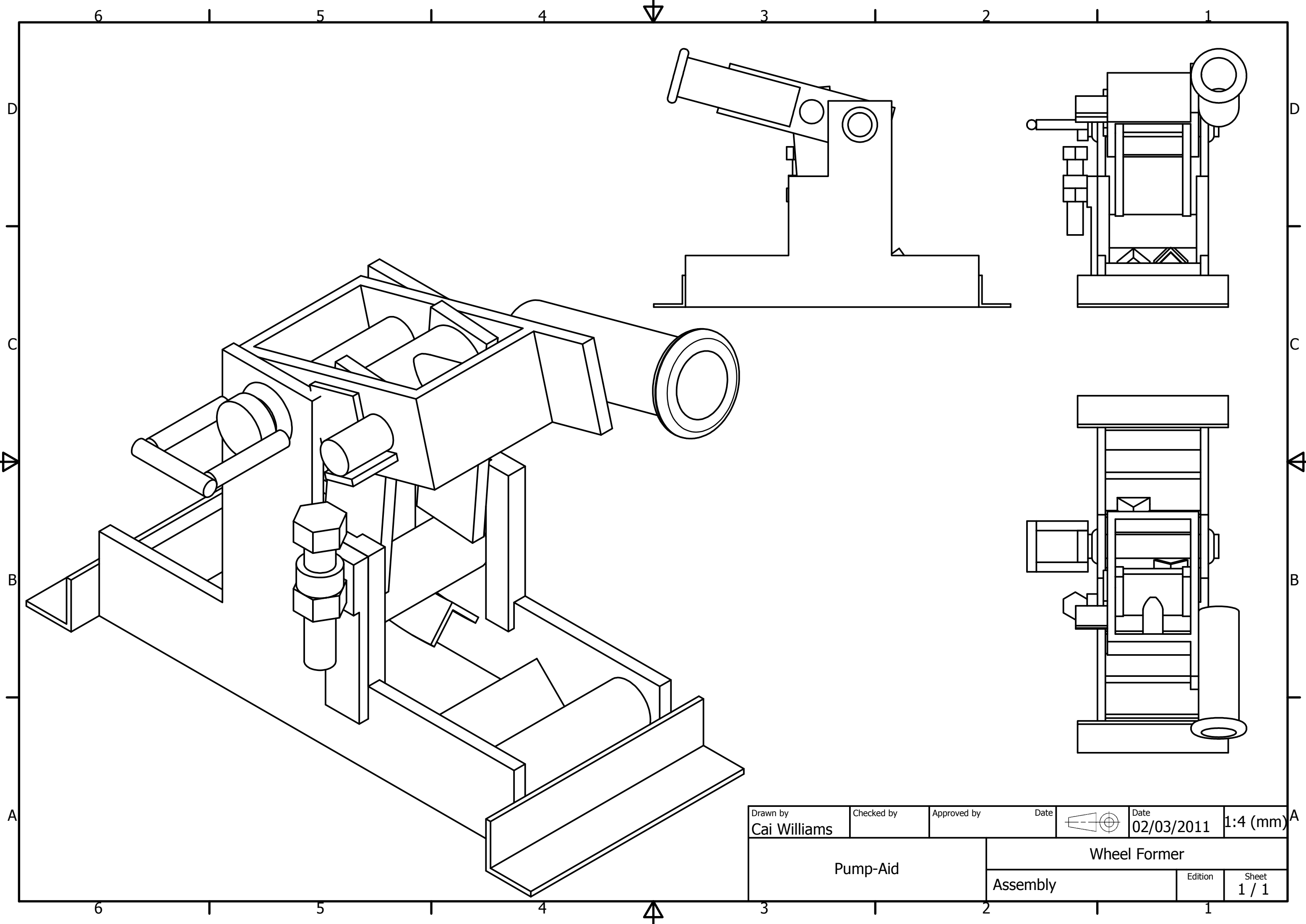
Drawn by Cai Williams	Checked by	Approved by	Date		Date 06/03/2011	1:10 (mm)
Pump-Aid			Toilet Slab			
			Toilet Slab		Edition	Sheet 1 / 1

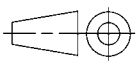


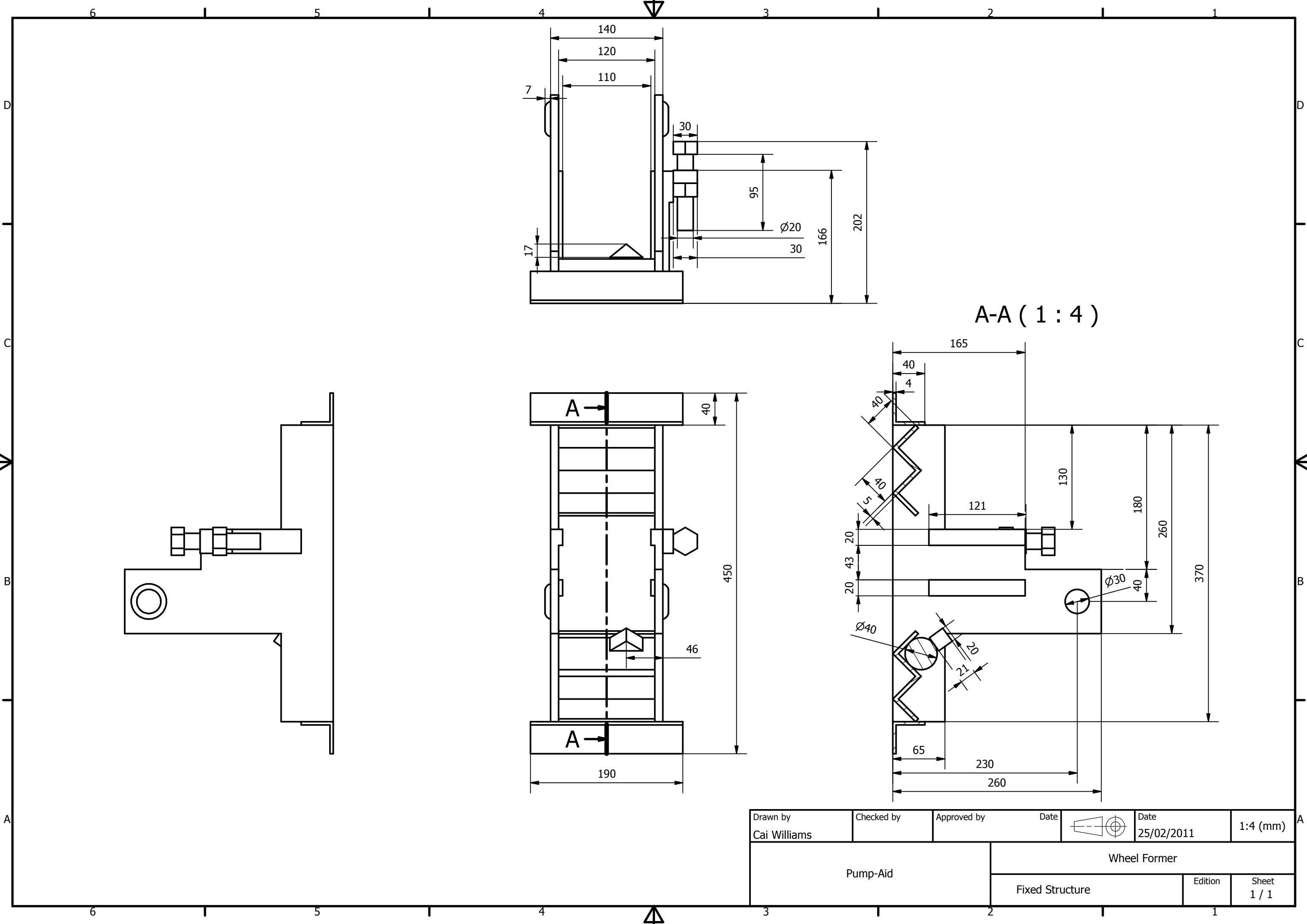
Drawn by Cai Williams	Checked by	Approved by	Date		Date 27/02/2011	1:10 (mm)
Pump-Aid			Top Slab Mould			
					Edition	Sheet 1 / 1

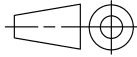


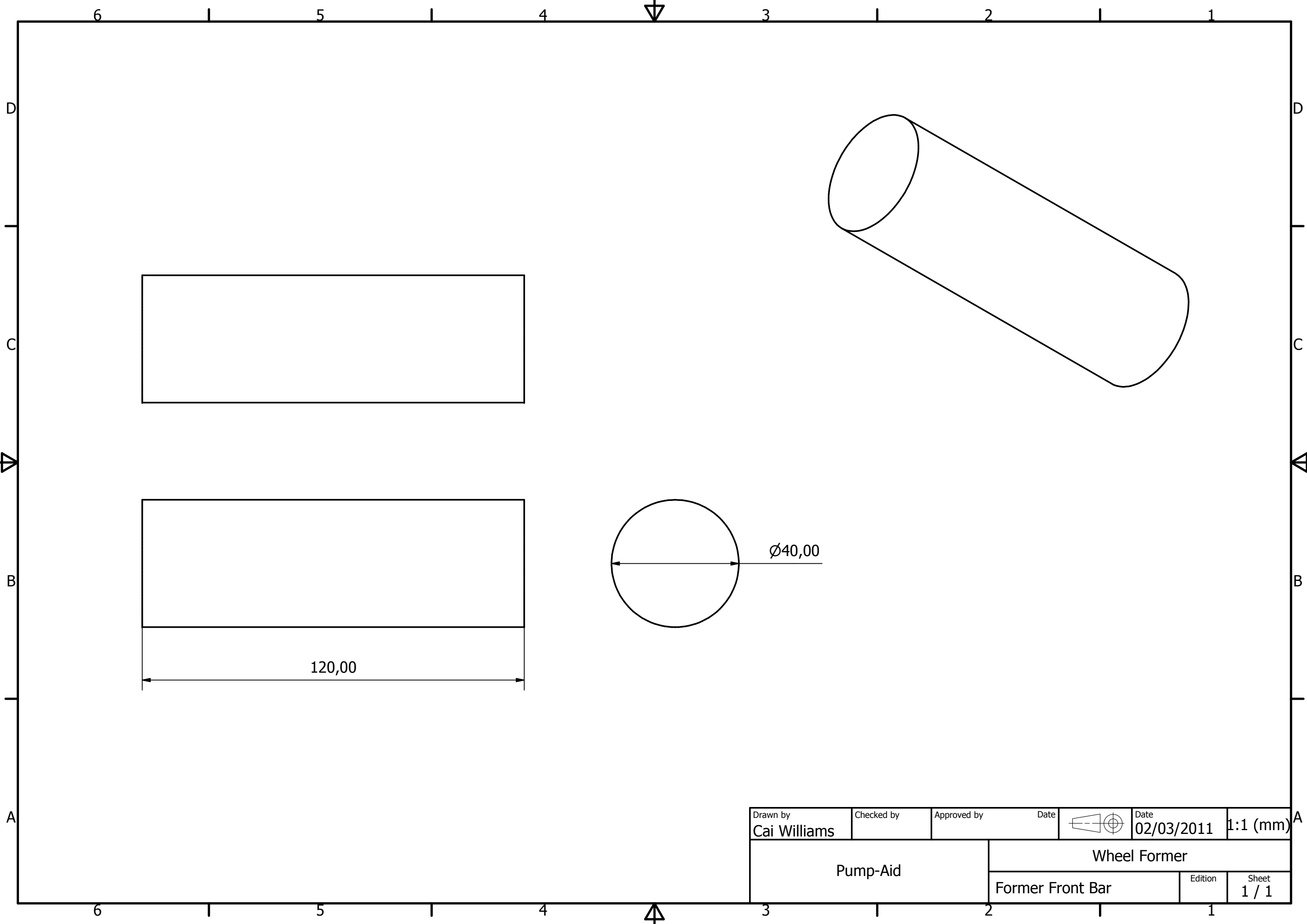
Drawn by Cai Williams	Checked by	Approved by	Date 06/03/2011			Date 06/03/2011	1:10 (mm)
Pump-Aid		Top Slab				Edition	Sheet 1 / 1



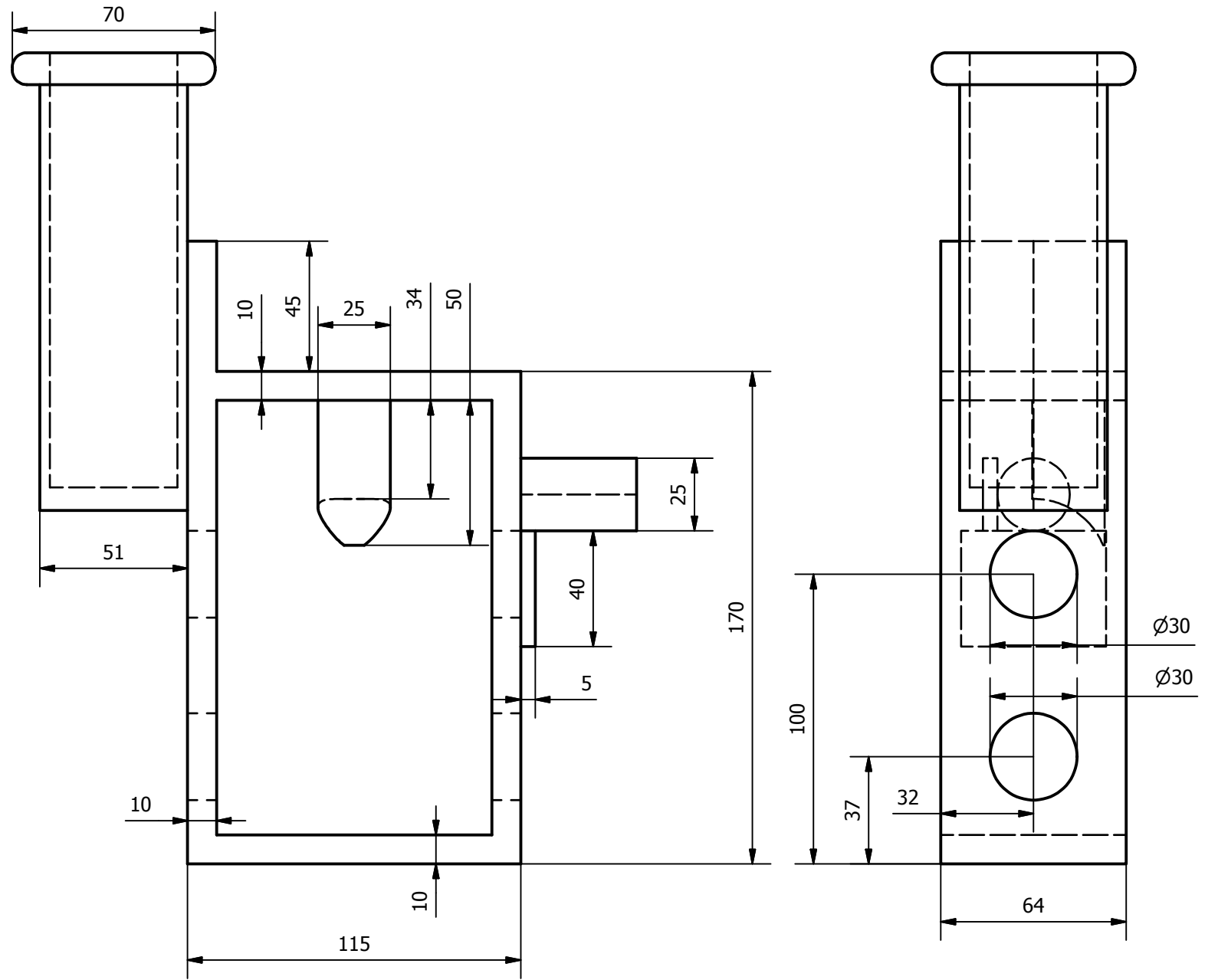
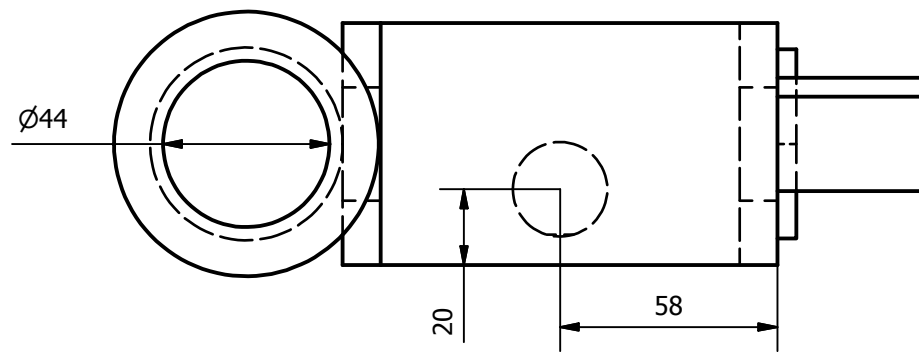
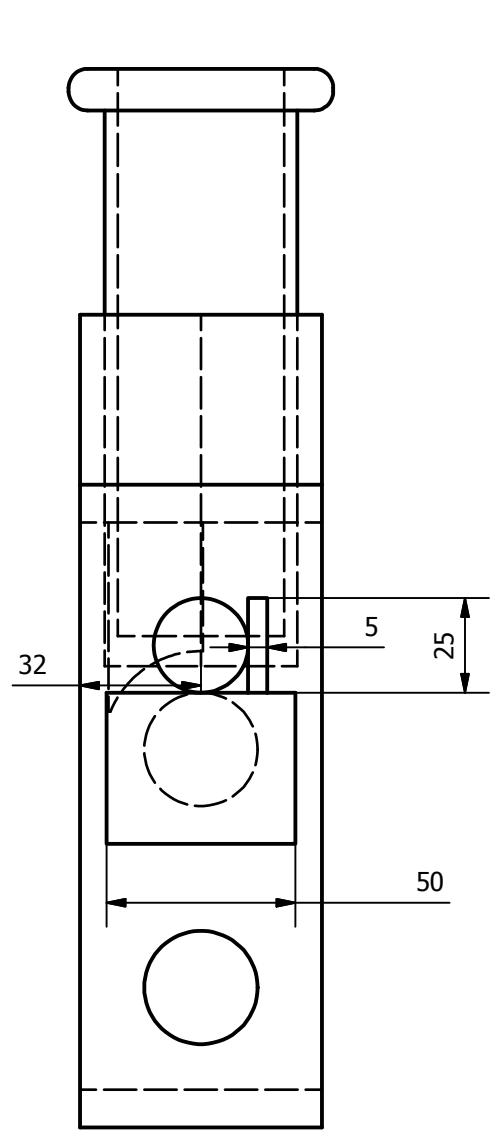
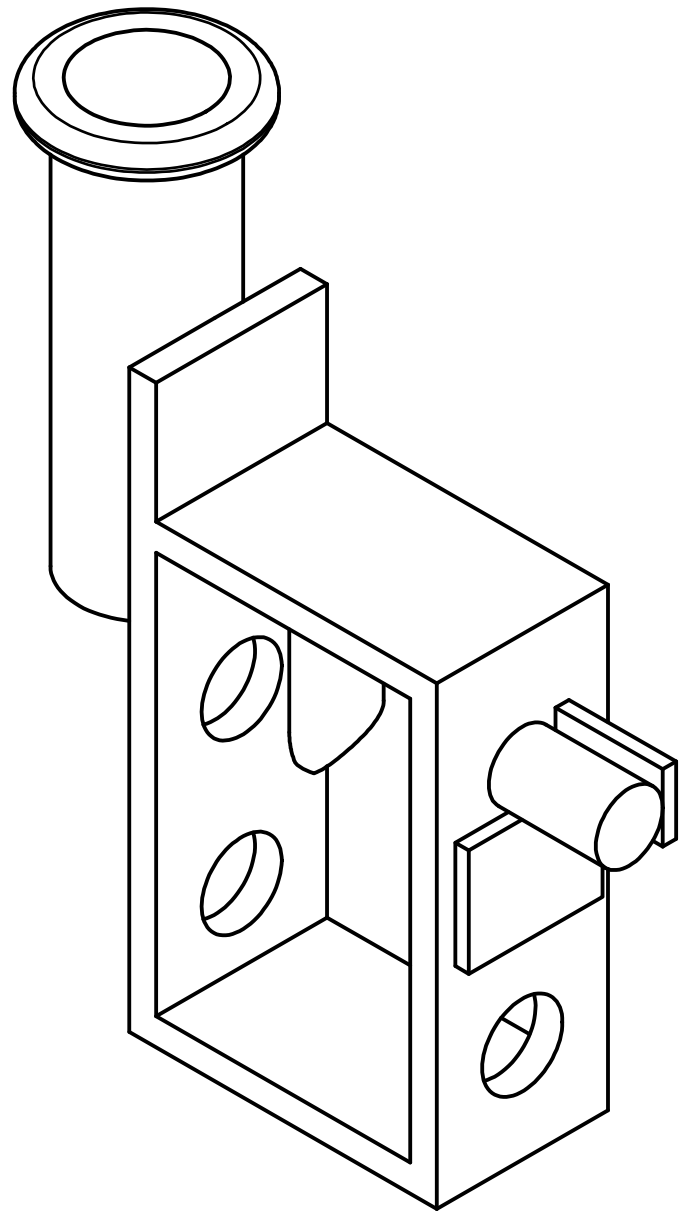
Drawn by Cai Williams	Checked by	Approved by	Date		Date 02/03/2011	1:4 (mm)
Pump-Aid			Wheel Former			
			Assembly		Edition	Sheet 1 / 1

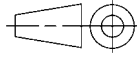


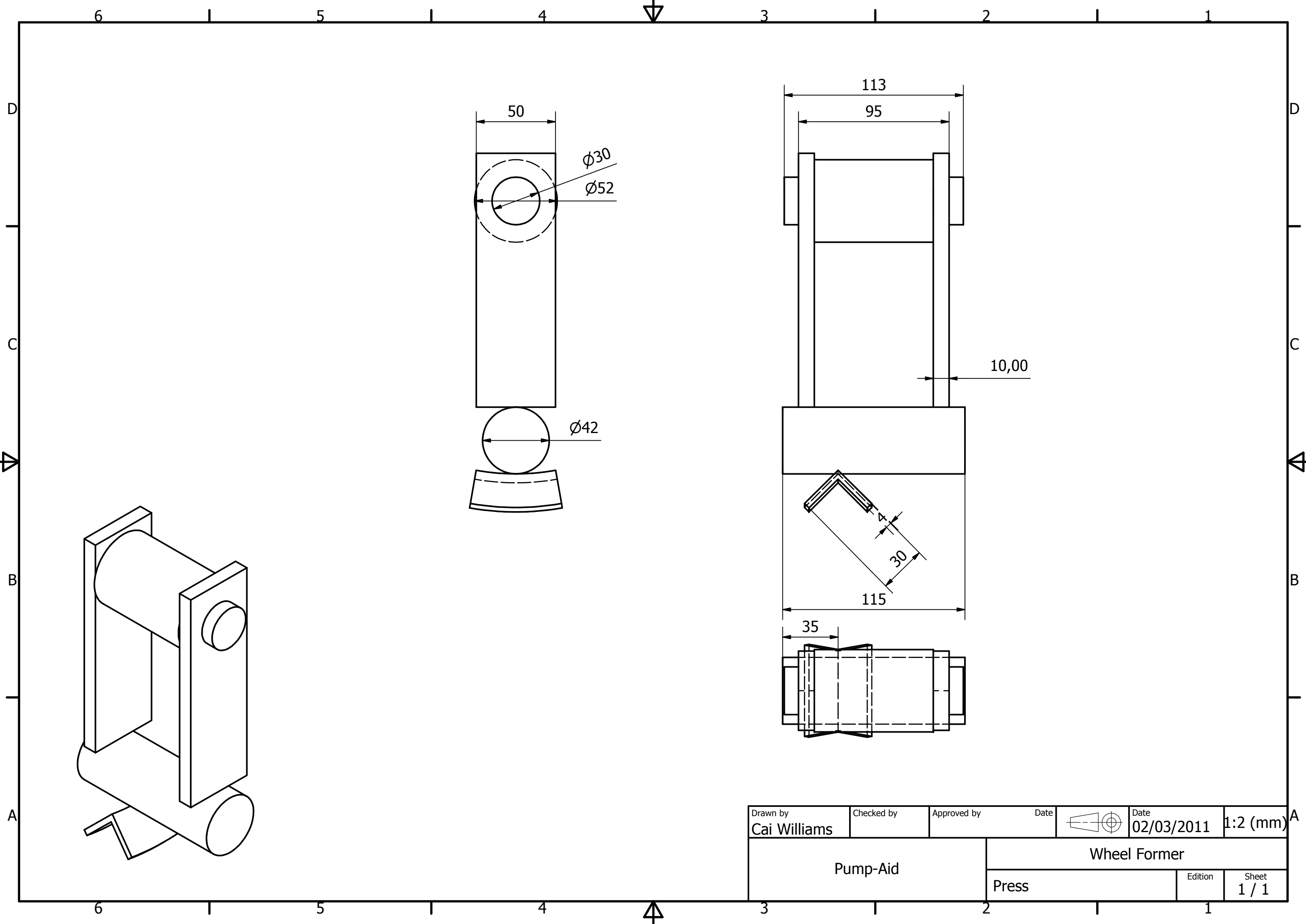
Drawn by Cai Williams	Checked by	Approved by	Date		Date 25/02/2011	1:4 (mm)
Pump-Aid			Wheel Former			
Fixed Structure			Edition		Sheet 1 / 1	

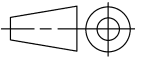


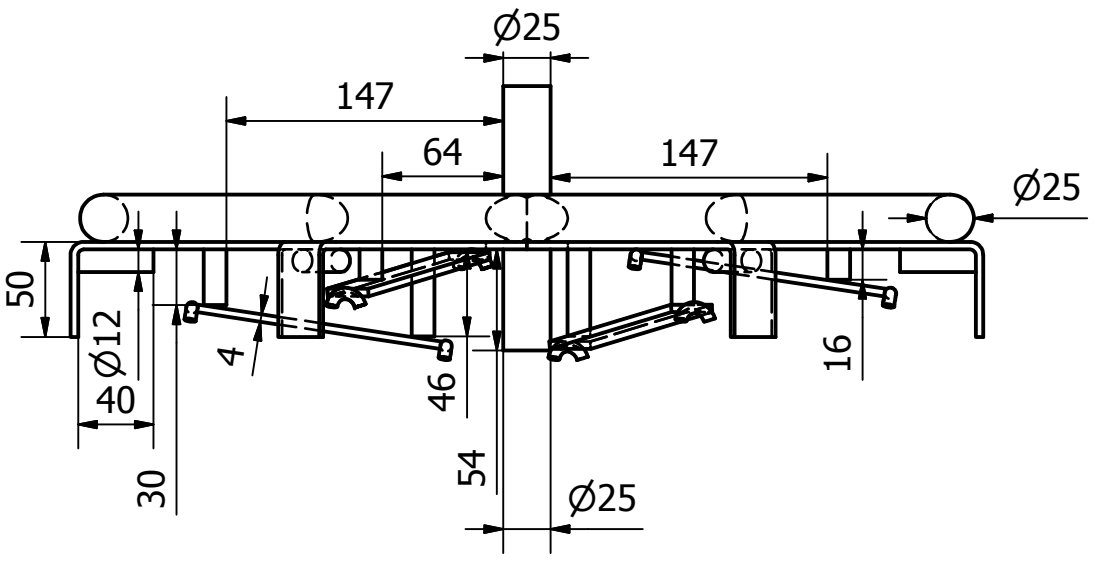
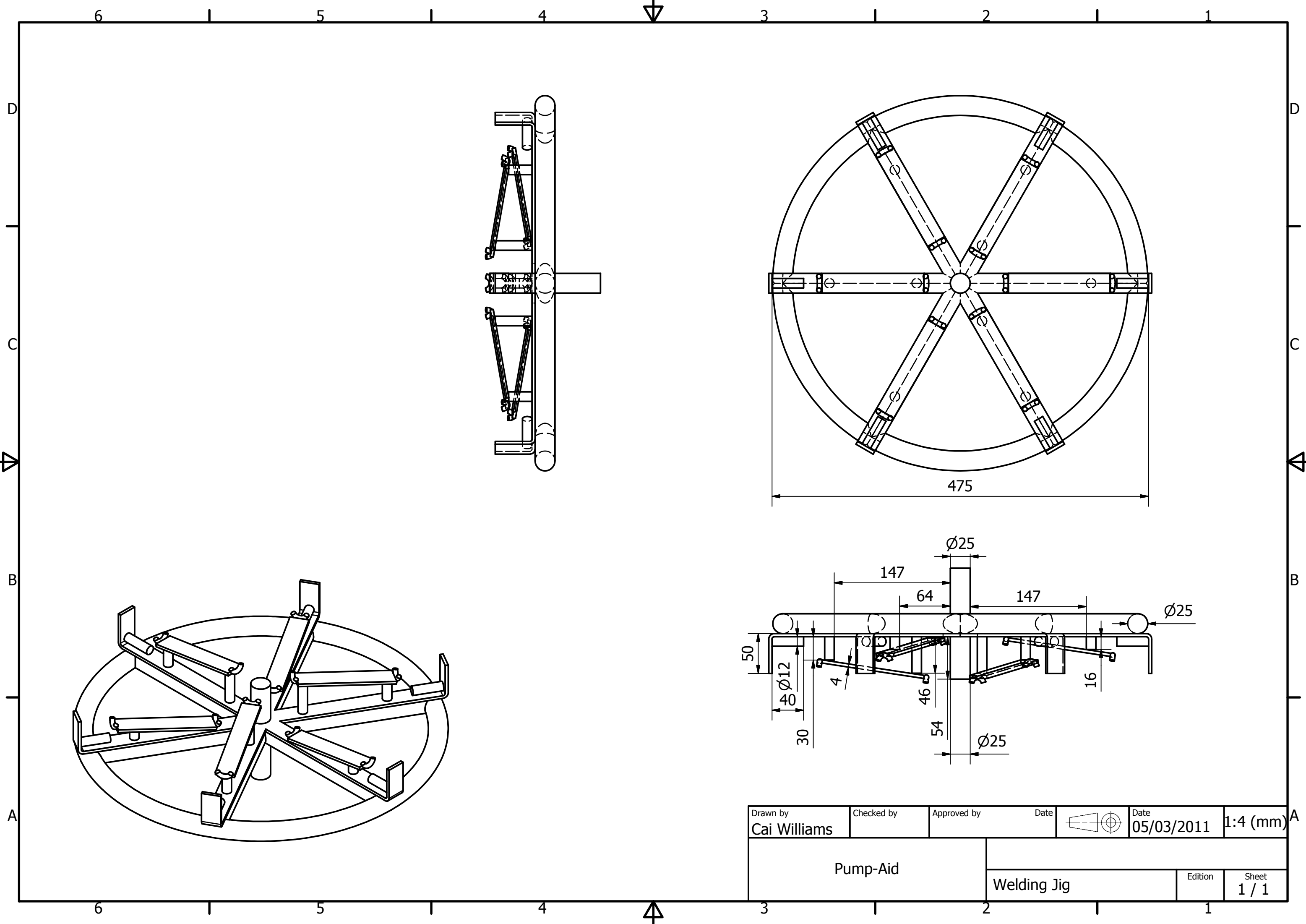
Drawn by Cai Williams	Checked by	Approved by	Date 02/03/2011	1:1 (mm)
Pump-Aid		Wheel Former		
Former Front Bar			Edition	Sheet 1 / 1



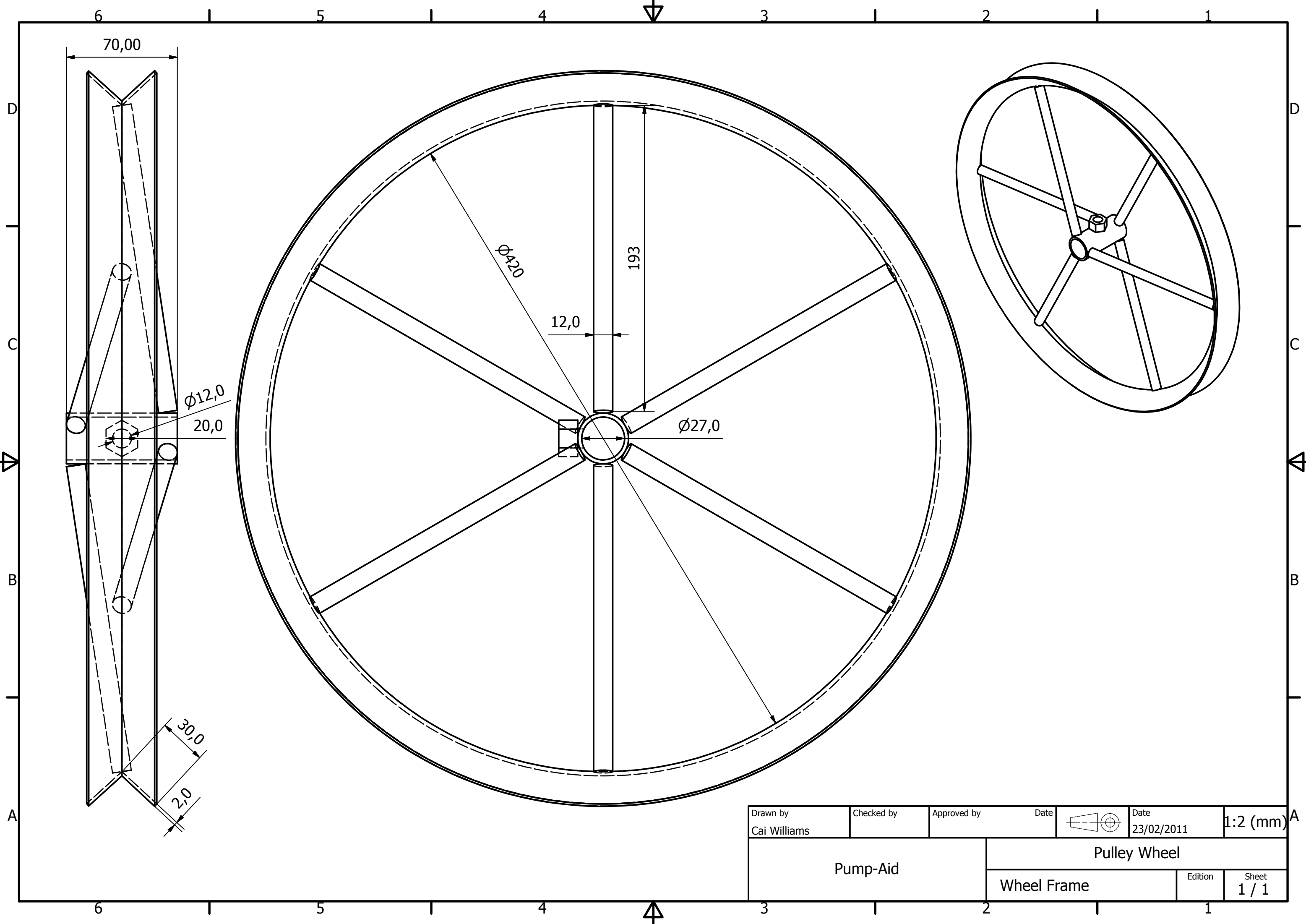
Drawn by Cai Williams	Checked by	Approved by	Date		Date 27/02/2011	1:2 (mm)
Pump-Aid			Wheel Former			
Lever			Edition	Sheet 1 / 1		



Drawn by Cai Williams	Checked by	Approved by	Date		Date 02/03/2011	1:2 (mm)
Pump-Aid			Wheel Former			
			Press	Edition	Sheet 1 / 1	



Drawn by Cai Williams	Checked by	Approved by	Date		Date 05/03/2011	1:4 (mm)
Pump-Aid			Welding Jig		Edition	Sheet 1 / 1



Drawn by Cai Williams	Checked by	Approved by	Date 23/02/2011	1:2 (mm)
Pump-Aid		Pulley Wheel		
Wheel Frame		Edition	Sheet 1 / 1	